

VAILLANT SPARE PART CATALOGUE

Wall-hung heating boilers

THERMOcompact, COMBIcompact

VC 110,180,240 T,XT, VCW 240,280 T,XT

(conventional flue)

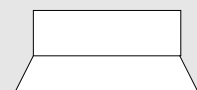
VC-VCW 221 T

(balanced flue)

VC 112,142,182,242,282 E

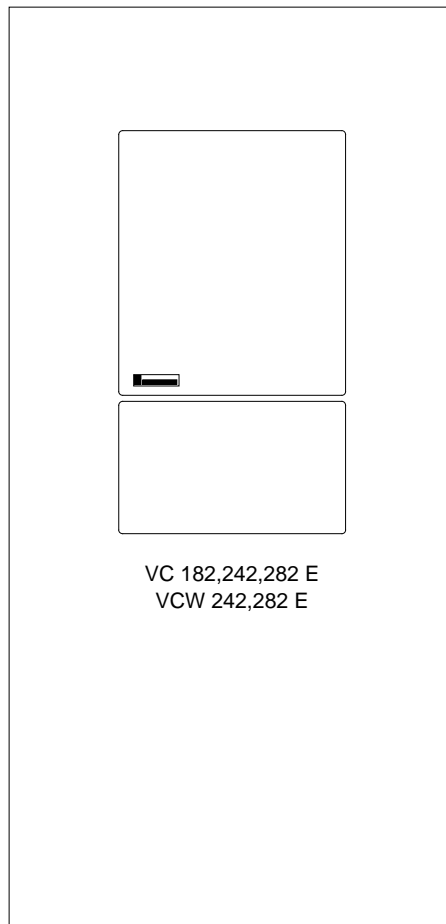
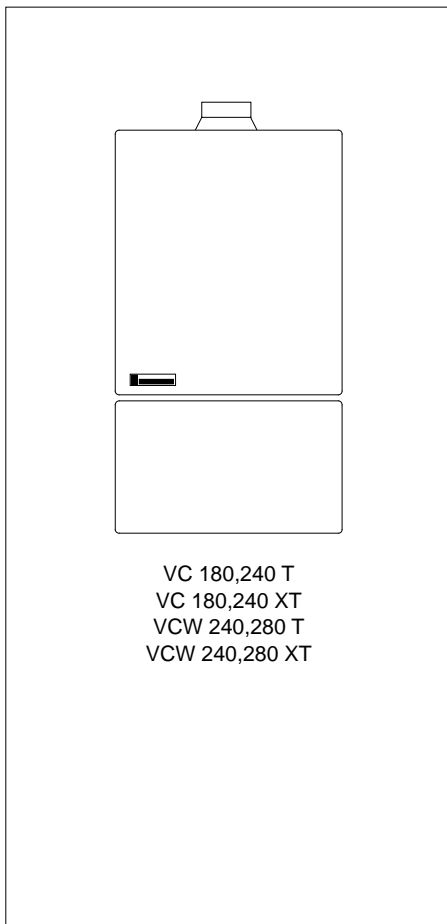
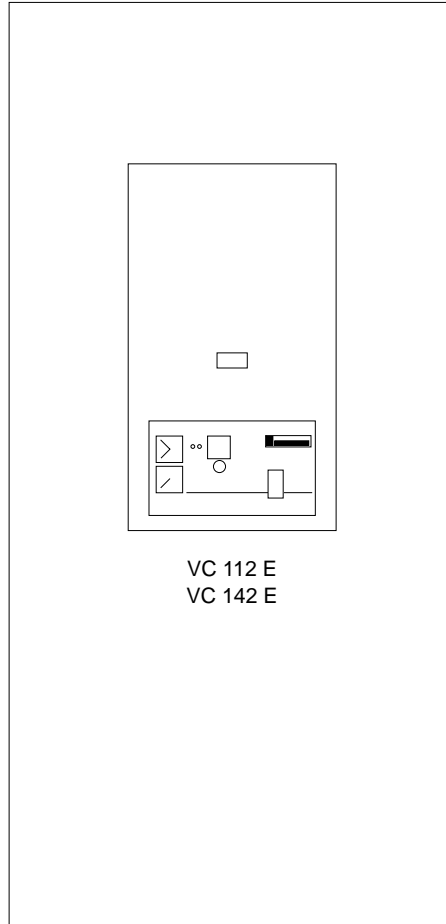
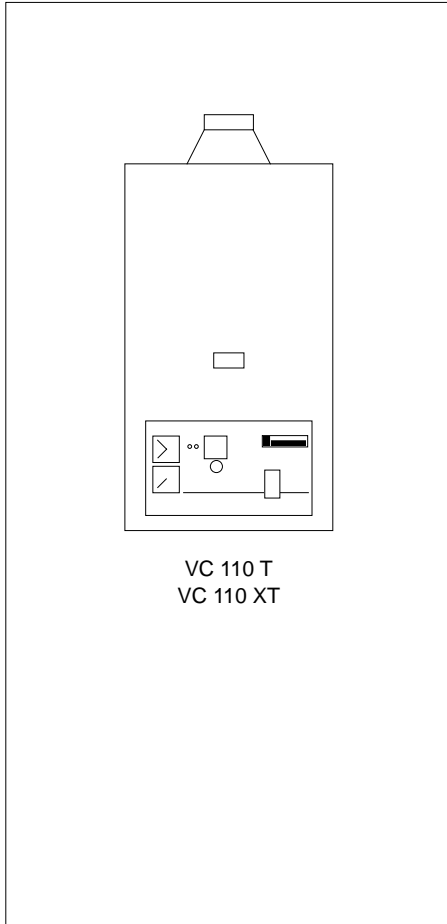
VCW 242,282 E

(room-sealed fan-assisted)



8025 39 GB 09/96

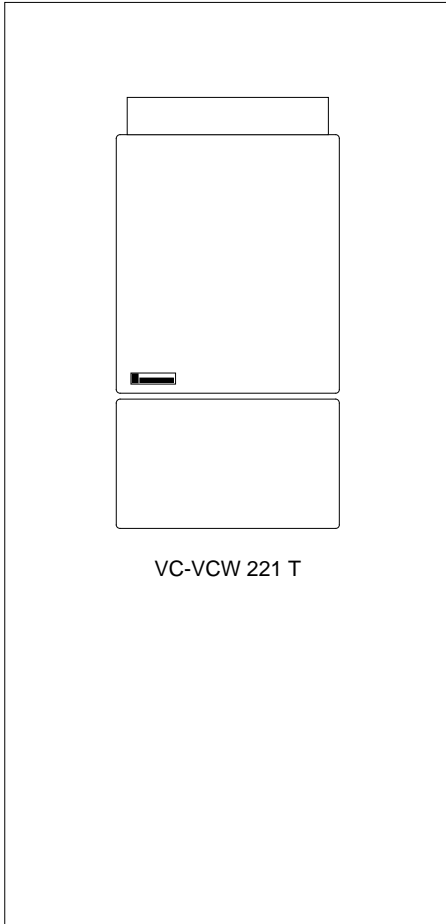
View of appliances



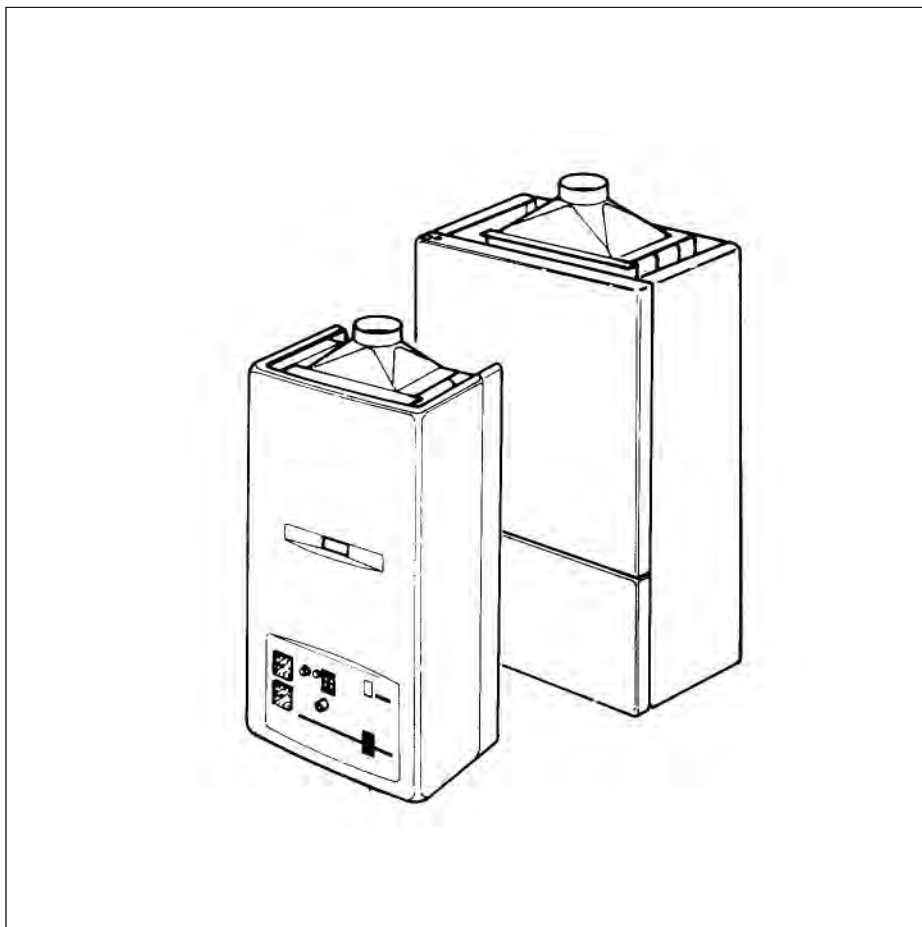
Content

	Page
View of appliances	1 - 2
General view sheets	3 - 8
Main component 01 Water valve, Servo control valve, Hydraulically controlled diverter valve, Flow switch	9 - 19
Main component 04 Burner, Pilotburner	21 - 33
Main component 05 Gas section	35 - 39
Main component 06 Heat exchanger	41 - 51
Main component 07 Casing parts, Air/Flue gas duct assembly, Wallcase	53 - 69
Main component 08 Connection parts, Connection piping, Acc.-connection parts	71 - 87
Main component 13 Control box, Flue sensor	89 - 99
Main component 16 Pump	101 - 103
Main component 18 Expansion vessel	105 - 109

View of appliances



General view sheets



VC 110 T, XT

Page

4

VC 112,142 E

5

VC 180,240 T, VCW 240,280 T, XT

6

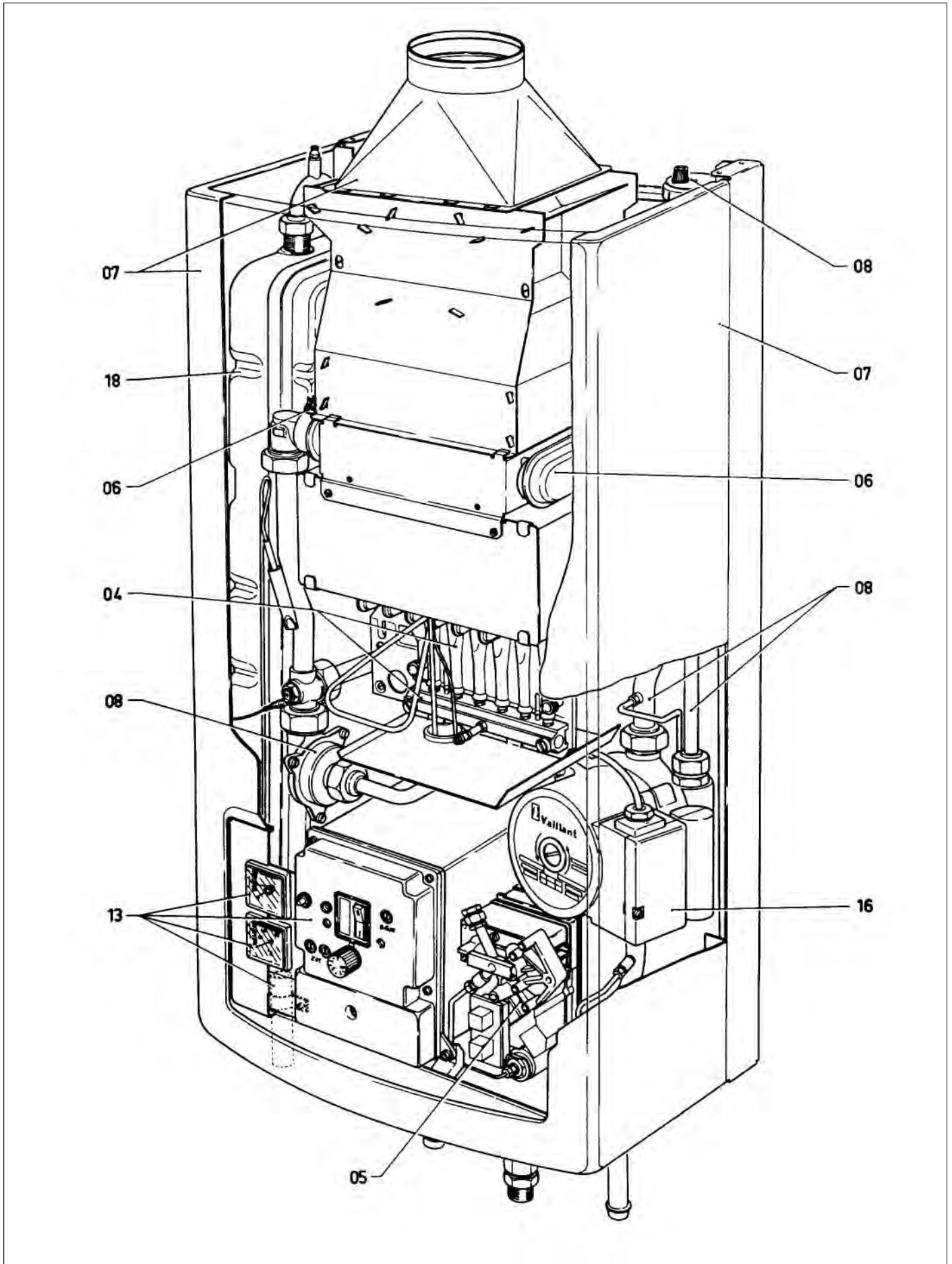
VC-VCW 221 T

7

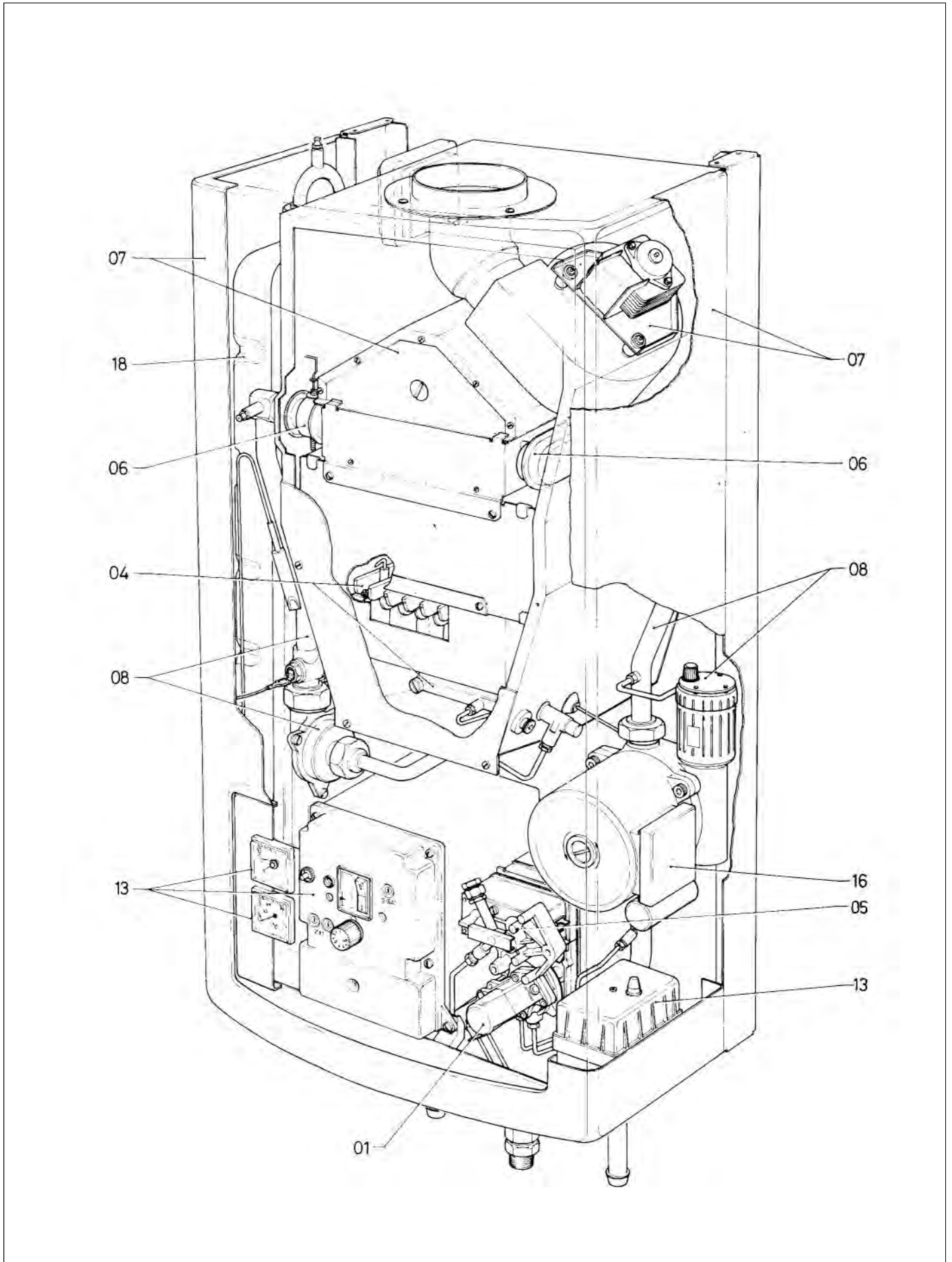
VC 182,242,282 E, VCW 242,282 E

8

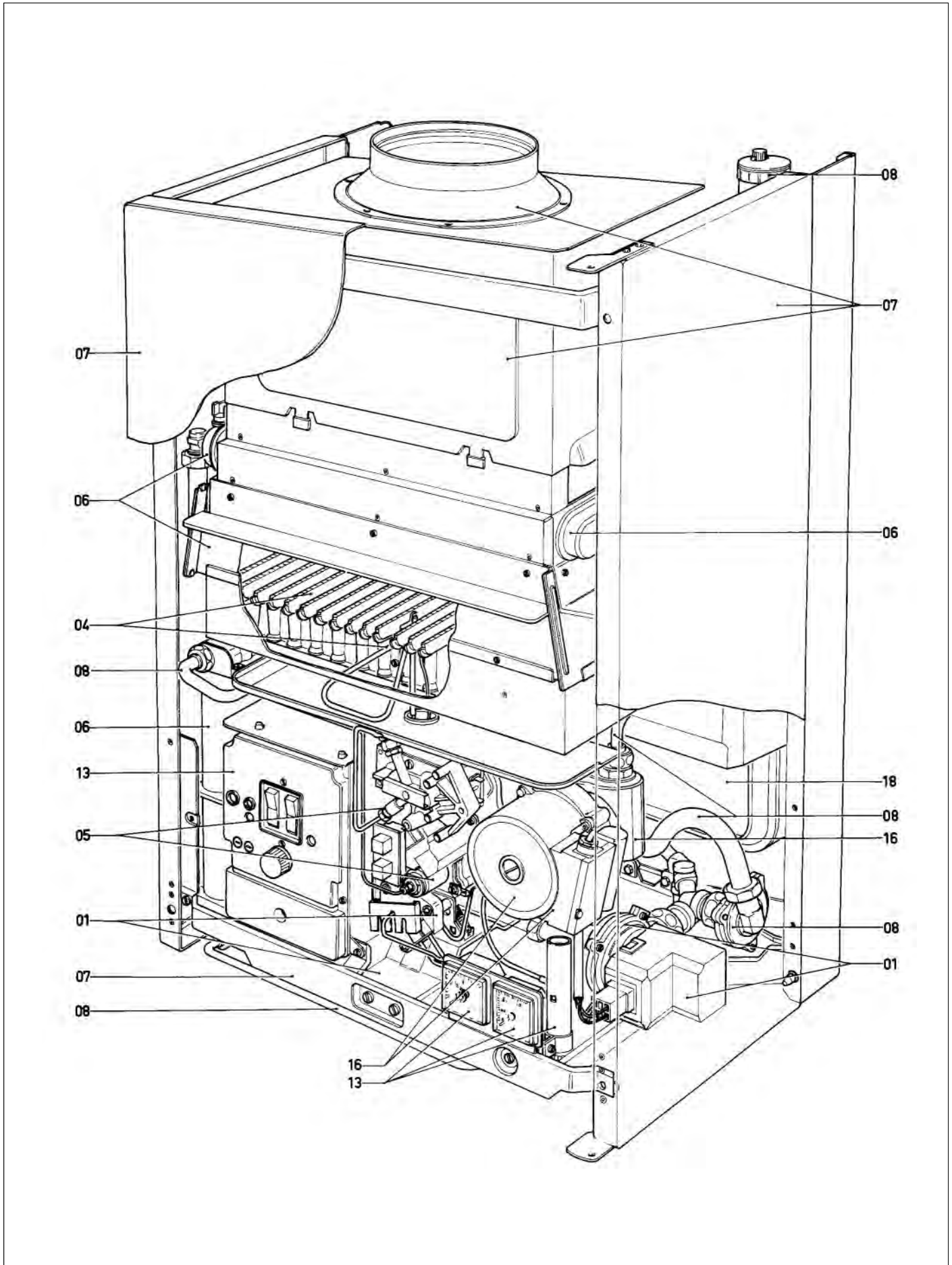
General view sheets VC 110 T, XT



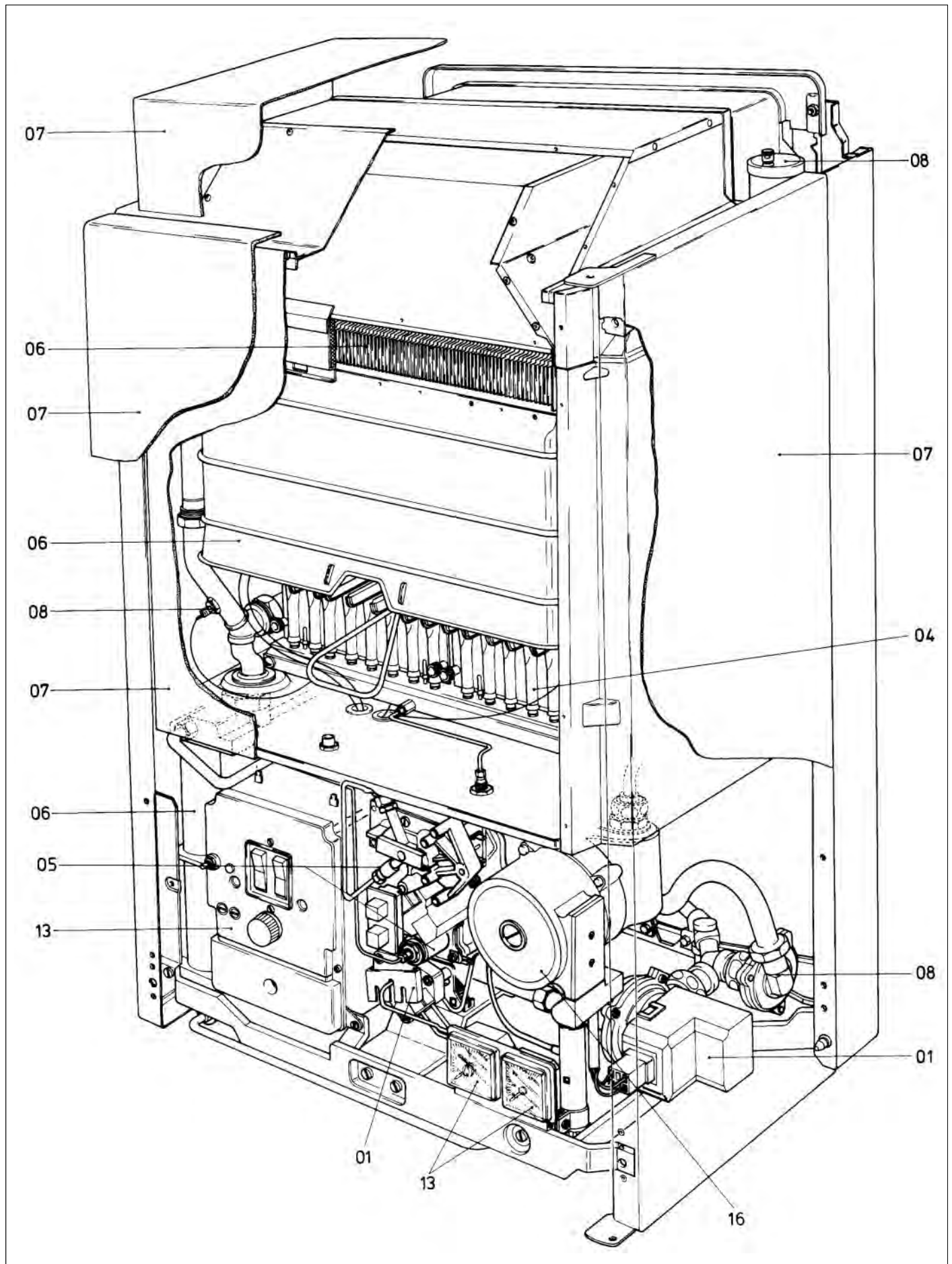
General view sheets VC 112,142 E



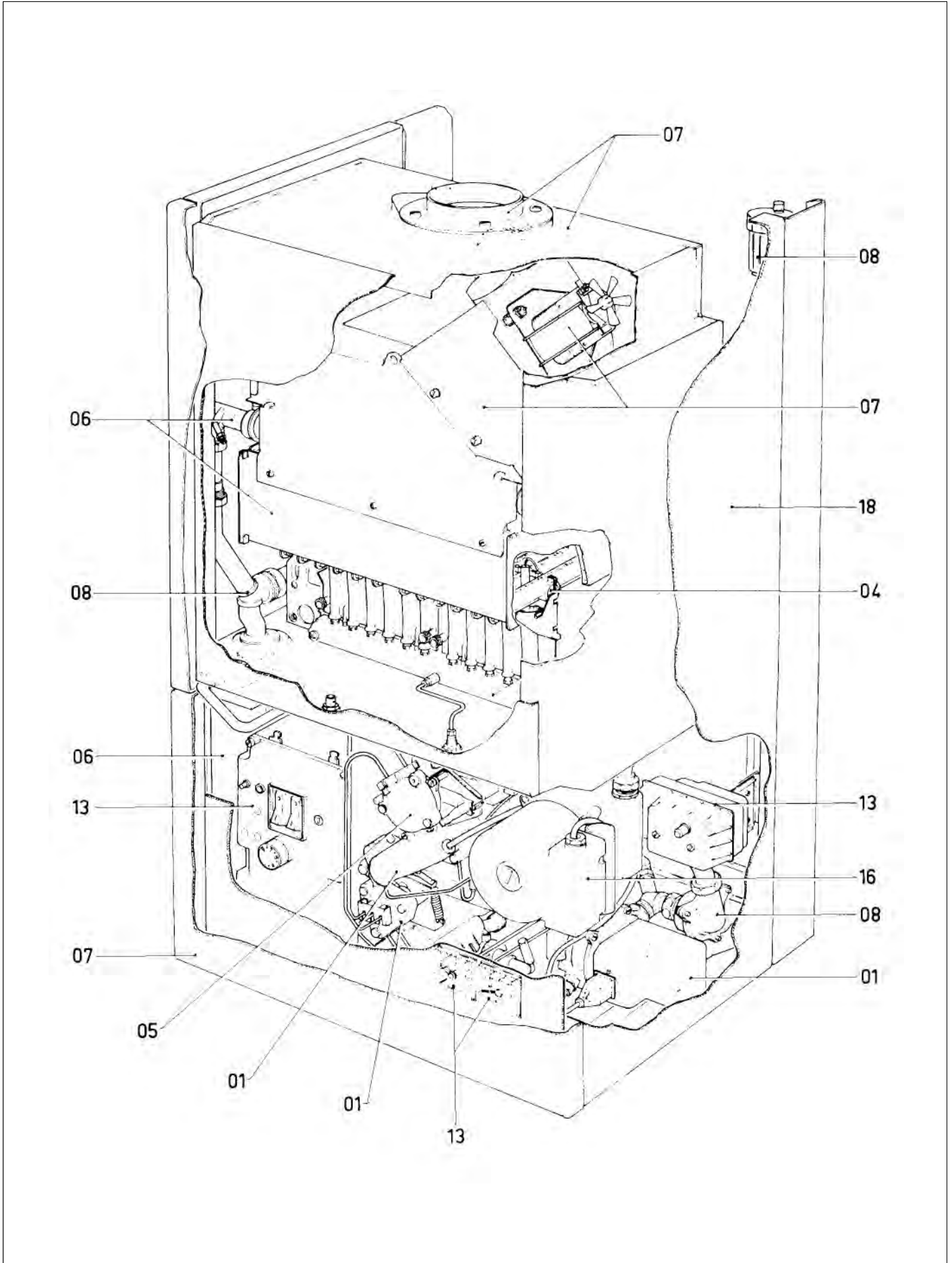
General view sheets VC 180,240 T, VCW 240,280 T, XT



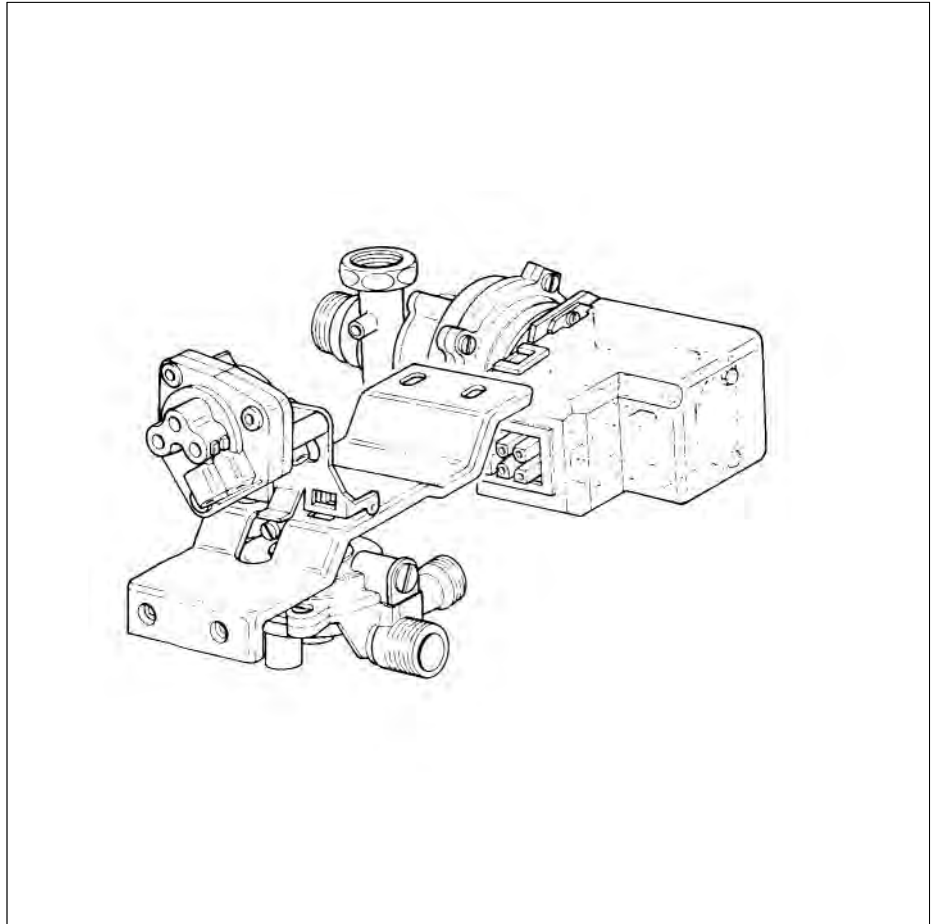
General view sheets VC-VCW 221 T



General view sheets VC 182,242,282 E, VCW 242,282 E

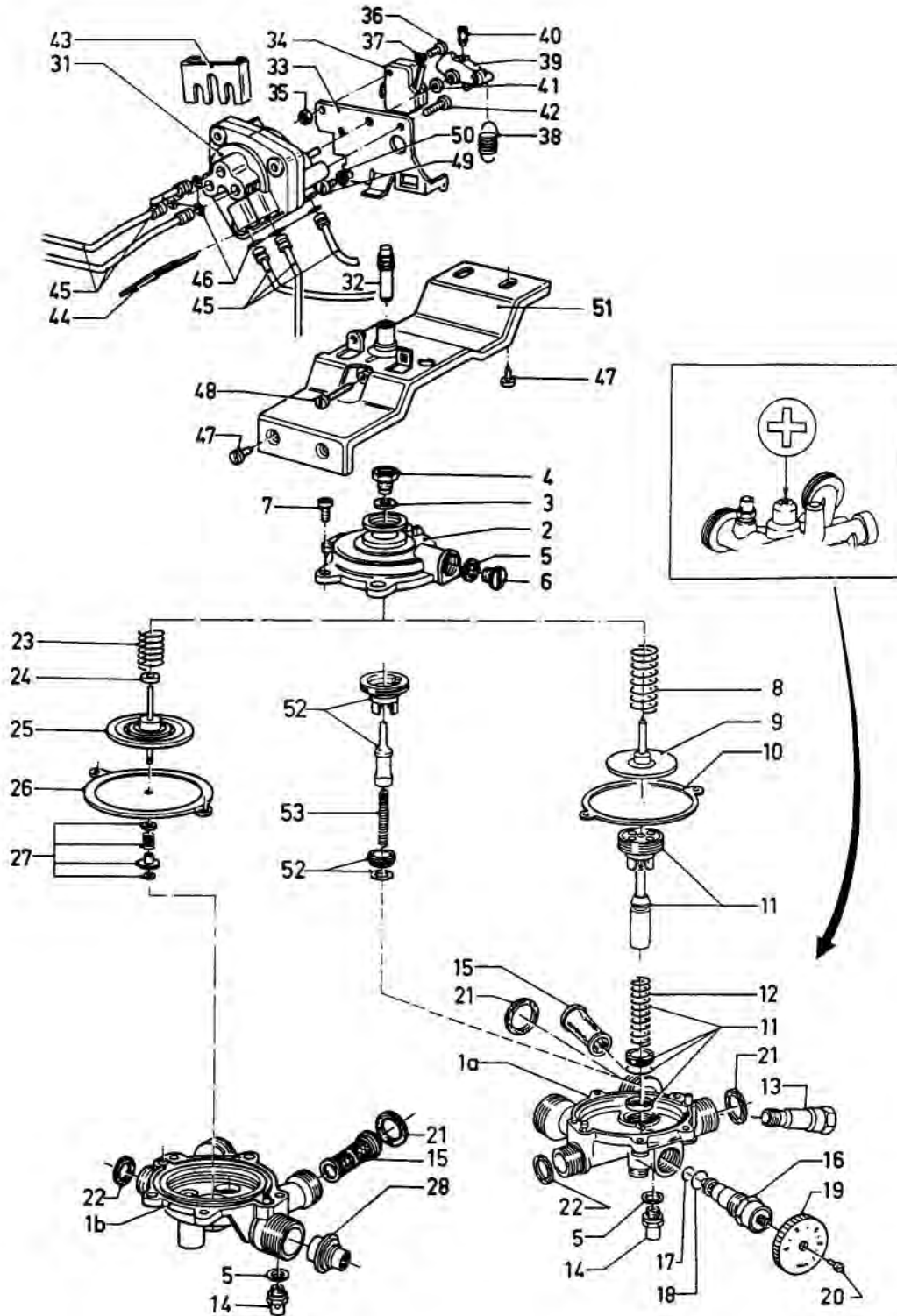


Main component 01



	Page
Water valve, Servo control valve (to 04/95) VCW 221, 240,280 T, 242,282 E	10 - 13
Water valve, Servo control valve (from 05/95) VCW 221, 240,280 T, 242,282 E (CE marked)	14 - 15
Hydraulically controlled diverter valve VCW 221, 240,280 T, 242,282 E	16 - 17
Flow switch VC 110,180,221,240 T	18 - 19

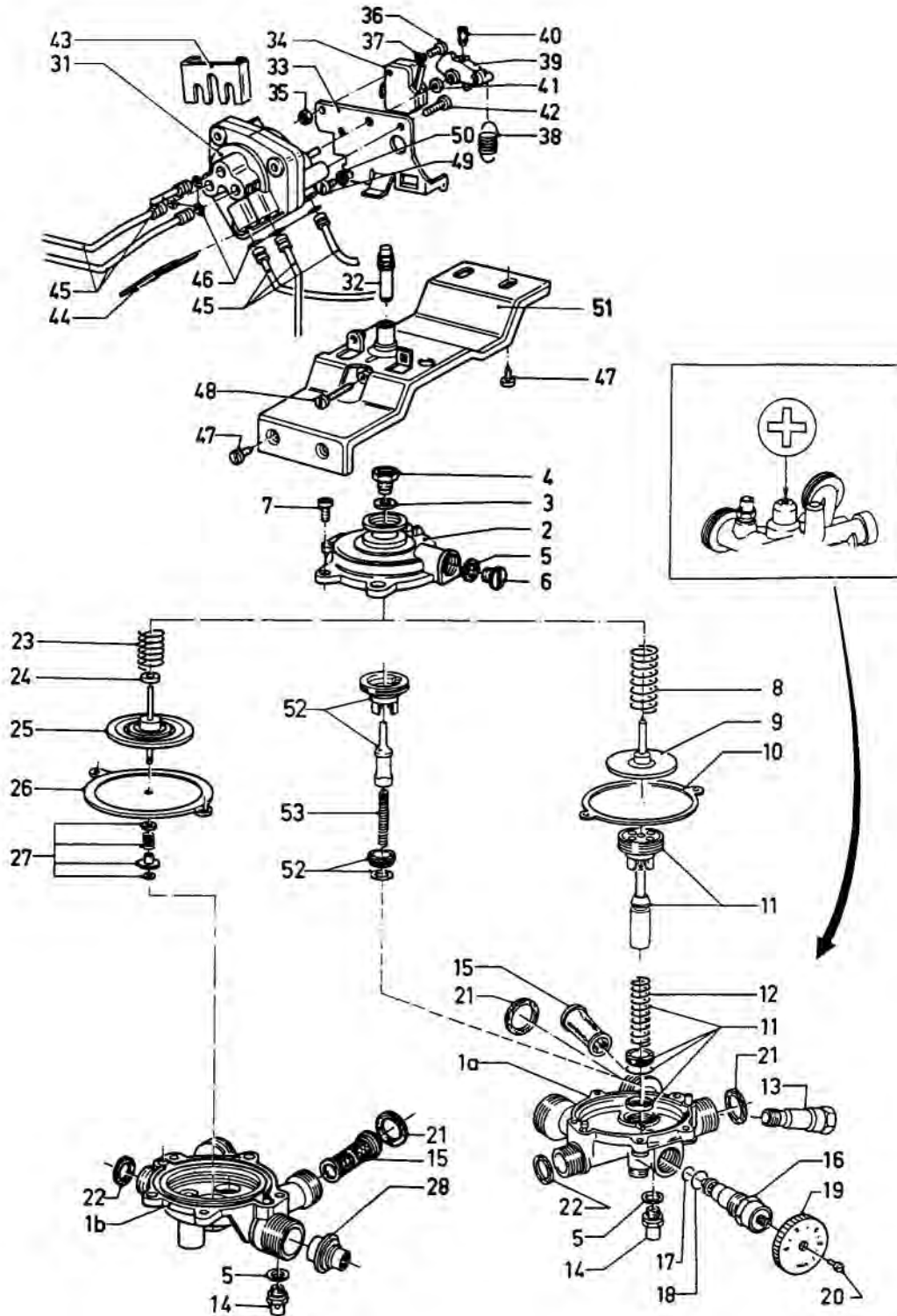
**Main component 01 Water valve, Servo control valve (to 04/95)
VCW 221, 240,280 T, 242,282 E**



Main component 01 Water valve, Servo control valve (to 04/95) VCW 221, 240,280 T, 242,282 E

Pict. No.	Article-No.	Part	Indic.	Type, Remarks
1a	-	water valve, cpl.		A VCW 221,240,280 T } VCW 242 E } see execution from 05/95 page 15 B VCW 280 T, 282 E }
1b	01-1156	water valve, cpl.		VCW 242 E (supplied with parts 2-7,14,15,21-27)
2	01-3014	top section		supplied with parts 3,4
3	98-1506	packingring		
4	01-2156	stuffing box		green inset
5	98-1506	packingring		
6	01-0050	screw		
7	01-0003	diaphragm screw		
8	10-4263	spring		
9	01-0007	diaphragm disc		
10	01-0312	diaphragm		
11	01-2944	water quantity regulator		} only for water valves with distinctive mark " + " upon underside of part (see inset diagram)
12	10-4267	spring		
13	01-0020	venturi	ø 3,32	for type A
	01-0021	venturi	ø 3,53	for type B
14	01-2629	overpressure valve		
15	01-0053	water filter		
16	01-2533	temperature selector		for type A } for type B } supplied with parts 17,18
	01-2534	temperature selector		
17	98-0305	packingring		
18	98-0149	o-ring		
19	12-5117	handle		
20	10-5744	screw		
21	98-1511	packingring		
22	98-1755	packingring		
23	01-0009	spring		
24	19-1367	disc		
25	01-0426	diaphragm disc		
26	01-0318	diaphragm		
27	08-8617	fastening set		
28	01-2938	water quantity regulator		only for type 1b

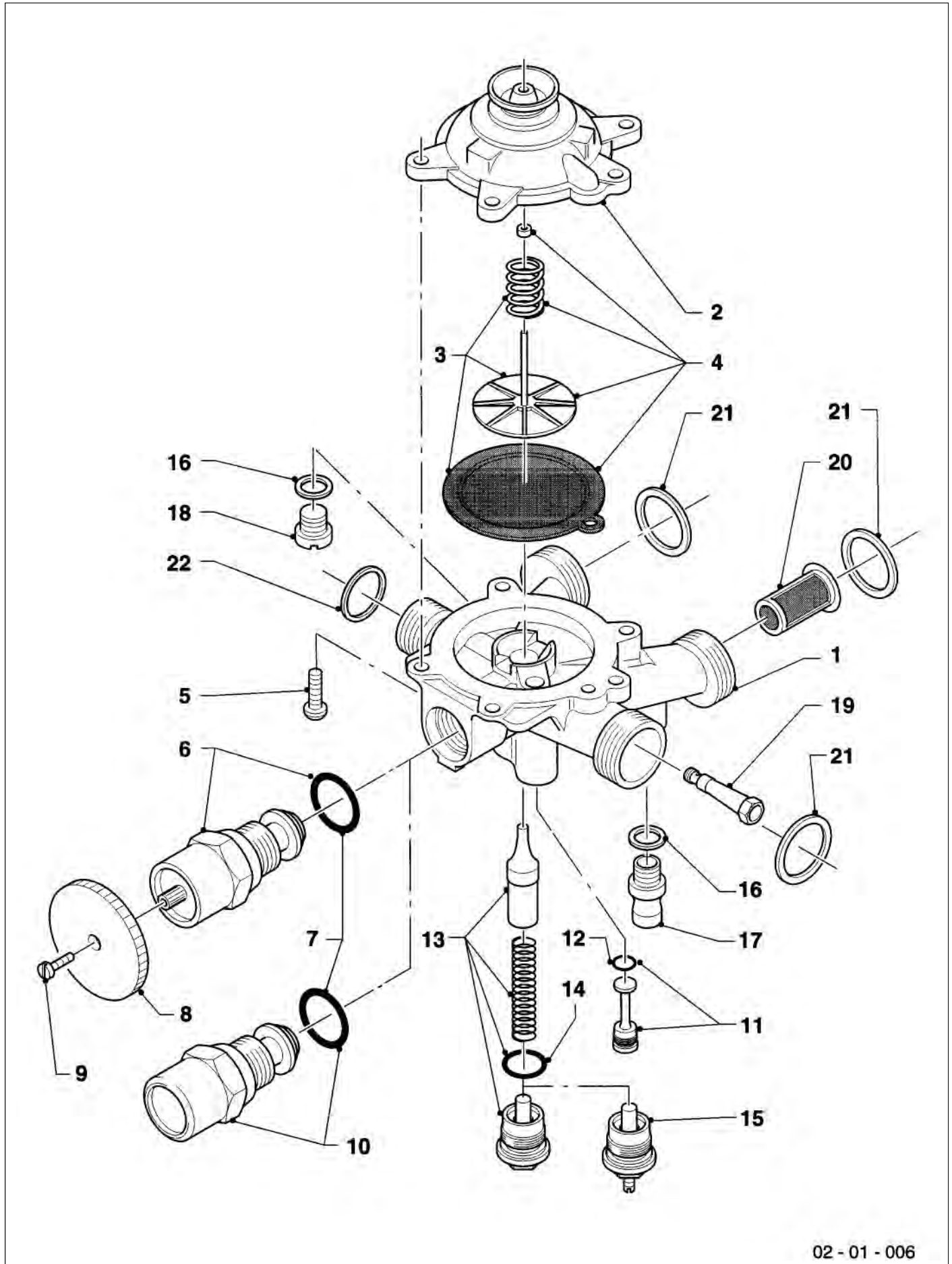
**Main component 01 Water valve, Servo control valve (to 04/95)
VCW 221, 240,280 T, 242,282 E**



**Main component 01 Water valve, Servo control valve (to 04/95)
VCW 221, 240,280 T, 242,282 E**

Pict. No.	Article-No.	Part	Indic.	Type, Remarks
31	01-2646	servo control valve		supplied with parts 32-42
32	01-0727	spindle		
33	-			single delivery not possible, with spare part 01-2646
34	12-6223	micro-switch		
35	15-0014	nut		
36	15-0008	screw		
37	28-0715	disc		
38	28-4406	spring		
39-40	21-3515	lever		
41	19-1420	disc		
42	11-8947	screw		
43	15-4132	bracket		
44	07-8407	clip		
45	-	connection piping		see main component 08
46	98-2490	packingring		
47	23-5727	screw		
48	10-5716	screw		
49	20-2622	screw		
50	09-0034	safety disc		
51	08-6462	support		with nylon bush (not available as spare part)
52	01-2947	water quantity regulator		
53	01-0081	spring		

**Main component 01 Water valve, Servo control valve (from 05/95)
VCW 221, 240,280 T, 242,282 E**

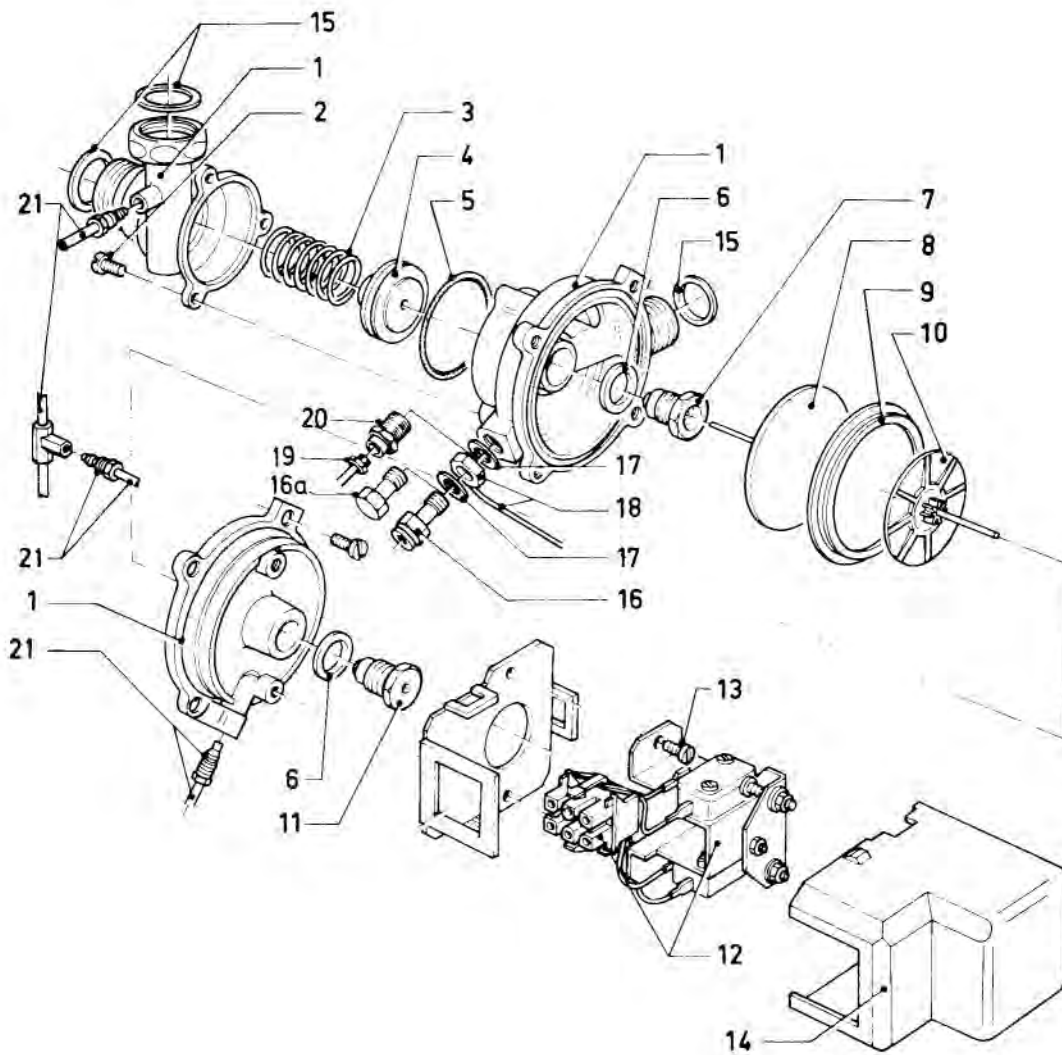


02 - 01 - 006

**Main component 01 Water valve, Servo control valve (from 05/95)
VCW 221, 240,280 T, 242,282 E**

Pict. No.	Article-No.	Part	Indic.	Type, Remarks
1	01-1267 01-1251	water valve water valve		221,240 T,242 E (with parts 2-9,11-14,16-22) 280 T,282 E (with parts 2-9,11-14,16-22)
2	01-3056	upper part		
3	01-0359	diaphragm set		with part 5 (5 x pieces)
4	-	not necessary for british execution		
5	11-8959	screw		
6	01-2553	temperature selector		221,240,242
	01-2554	temperature selector		280,282
7	98-2497	packingring		
8	12-5117	handle		
9	10-5744	screw		
10	-	not necessary for british execution		
11	10-9918	plug		
12	98-2484	packingring		
13	01-2954	water quantity regulator		
14	98-0287	packingring		
15	-	not necessary for british execution		
16	98-1506	packingring		
17	01-2629	overpressure valve		
18	01-0050	screw		
19	01-2854	venturi	ø 2,10	221,240,242
	01-2819	venturi	ø 2,80	280,282
20	12-8516	water filter		
21	98-0197	packingring		
22	98-0186	packingring		

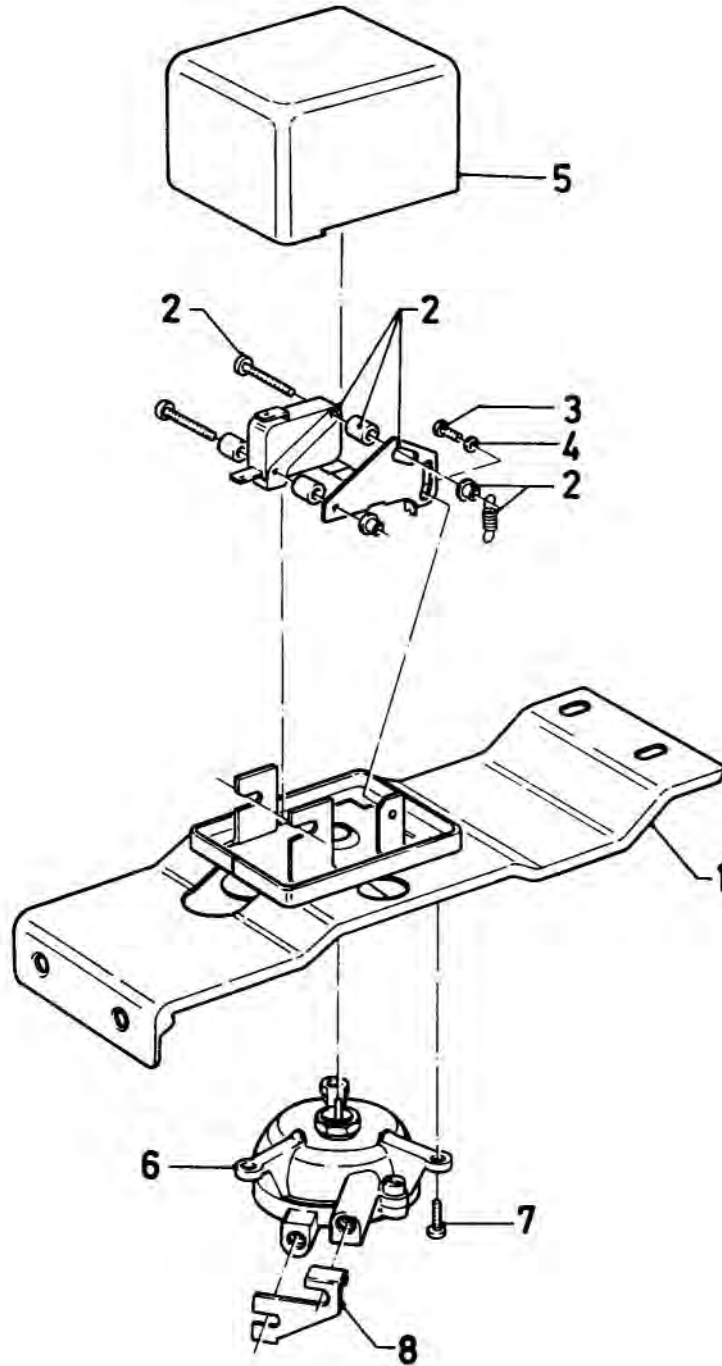
**Main component 01 Hydraulically controlled diverter valve
VCW 221, 240,280 T, 242,282 E**



Main component 01 Hydraulically controlled diverter valve VCW 221, 240,280 T, 242,282 E

Pict. No.	Article-No.	Part	Indic.	Type, Remarks
1	01-2684	diverter valve		supplied with parts 2-15,17
2	01-0003	diaphragm screw		
3	10-4244	spring		
4	02-0630	valve disc		
5	98-2488	packingring		
6	98-1518	packingring		
7	01-2140	stuffing box		
8	01-0457	diaphragm disc		
9	01-0337	diaphragm		
10	01-0421	diaphragm disc		
11	01-2141	stuffing box		
12	12-6233	micro-switch		
13	10-5760	screw		
14	20-5521	cap		
15	98-1511	packingring		
16-16a	15-5614	screw		
17	98-1898	packingring		
18	08-4245	flow switch connection		
19	08-8940	flow switch connection		
20	13-6313	nipple		
21	-	connection piping		see main component 08
22	-	bracket		single delivery not possible, with spare part 01-2684
23	-	microswitch bracket		single delivery not possible, with spare part 12-6233

Main component 01 Flow switch
VC 110,180,221,240 T



**Main component 01 Flow switch
VC 110,180,221,240 T**

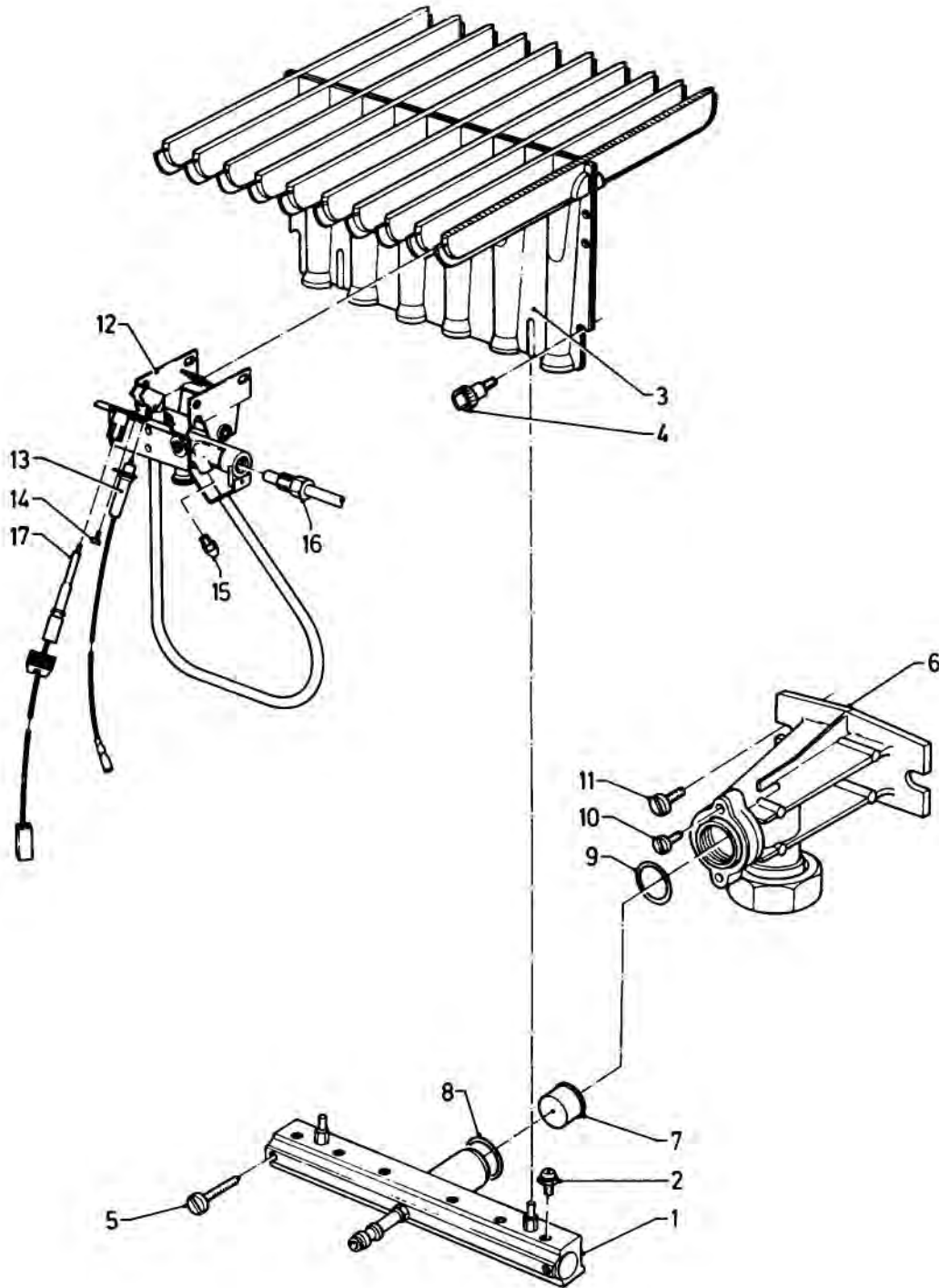
Pict. No.	Article-No.	Part	Indic.	Type, Remarks
1	-	support		not available as a spare part
2	12-6235	micro-switch		
3	14-0012	screw		
4	28-0715	disc		
5	20-4049	cap		
6	15-1027	flow switch		
7	13-0005	screw		
8	15-4133	bow		

Main component 04



	Page
Burner, Pilotburner VC 110 T H,B	22 - 23
Burner VC 112 E H,B	24 - 25
Burner VC 142 E H,B	26 - 27
Burner, Pilotburner VC 180,240 T, VCW 240,280 T H,B	28 - 29
Burner, Pilotburner VC-VCW 221 T H,B	30 - 31
Burner VC 182,242,282 E, VCW 242,282 E H,B	32 - 33

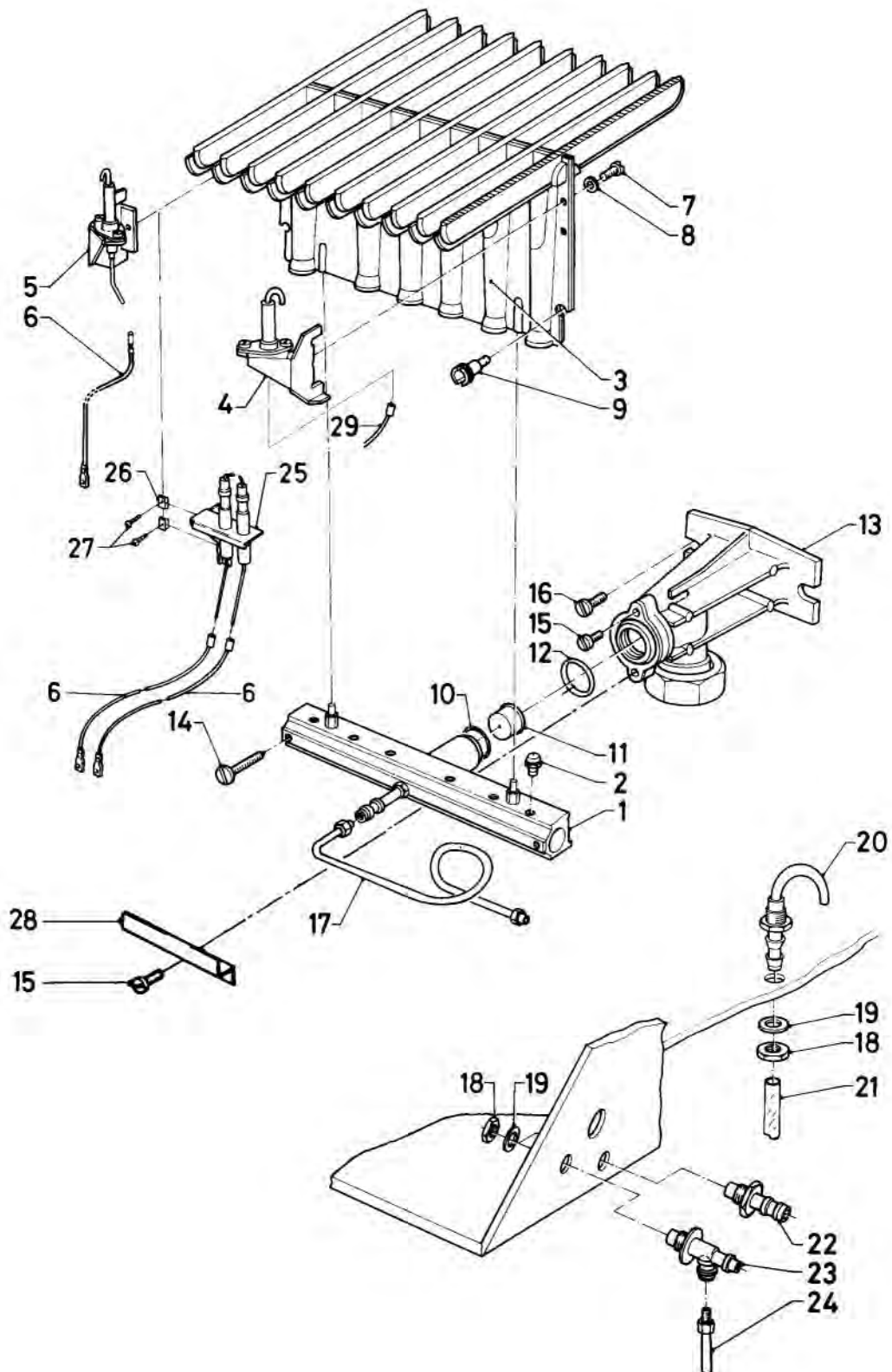
**Main component 04 Burner, Pilotburner
VC 110T H,B**



Main component 04 Burner, Pilotburner VC 110 T H,B

Pict. No.	Article-No.	Part	Indic.	Type, Remarks
				H = Natural gas, B = LP-gas
1	18-3971	distributor tube		
2	24-7150	burner nozzle	∅ 1,50	H
	24-7080	burner nozzle	∅ 0,80	B
3	04-0467	burner chamber group		
4	13-3936	screw		
5	23-5728	screw		
6	-	-		see main component 08
7	04-9601	throttle jet	∅ 3,05	B
8	98-2481	packingring		B
9	98-2495	packingring		
10	10-5758	screw		
11	23-5728	screw		
12	04-2959	pilot burner support		supplied with parts 13,14
13	09-0658	ignition electrode		
14	13-9201	screw		
15	04-2864	pilot burner nozzle	∅ 0,30	H
	04-2874	pilot burner nozzle	∅ 0,18	B
16	04-3936	pilot burner tube		
17	17-1169	thermo-couple		

Main component 04 Burner
VC 112 E H,B



02 - 04 - 015

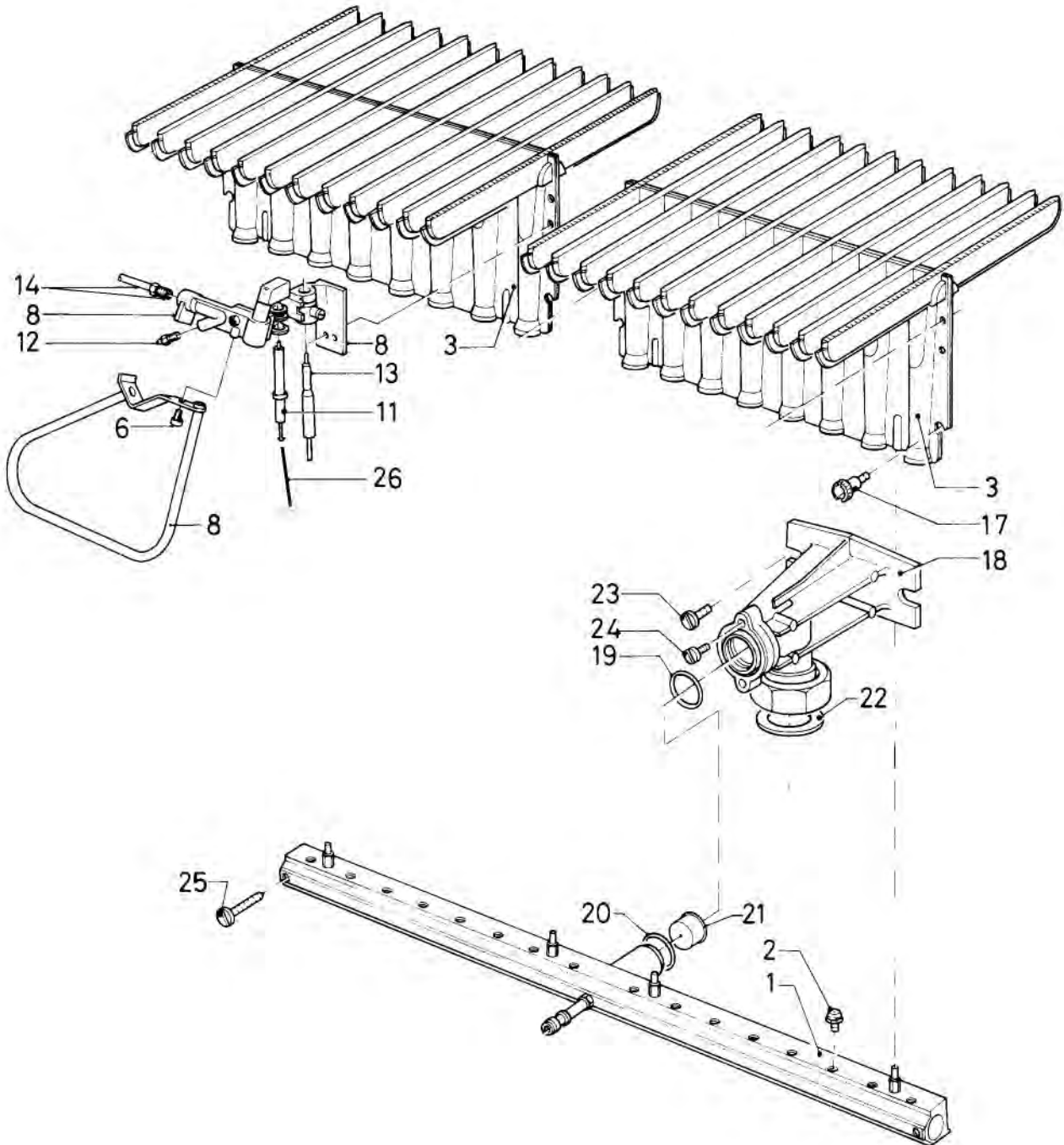
Main component 04 Burner VC 112 E H,B

Pict. No.	Article-No.	Part	Indic.	Type, Remarks
				H = Natural gas, B = LP-gas
1	18-3974	distributor tube		supplied with part 28
2	24-7140	burner nozzle	Ø 1,40	H
	24-7078	burner nozzle	Ø 0,78	B
3	04-0467	burner chamber group		
4	09-0649	monitoring electrode		right
5	-	ignition electrode		replaced by pict.-no. 25-27, 09-0673
6	09-1513	ignition wire		
7	13-9203	screw		
8	09-0034	safety disc		
9	13-3936	screw		
10	98-2481	packingring		B
11	04-9601	throttle jet	Ø 3,05	B
12	98-2495	packingring		
13	-	connection parts		see main component 08
14	23-5728	screw		
15	10-5758	screw		
16	23-5727	screw		
17	08-8932	flow switch connection		
18	04-0364	nut		
19	98-1805	packingring		
20	08-1063	connection		
21	08-0369	hose	250 mm	
22	13-3504	nipple		
23	13-3505	nipple		
24	08-8936	flow switch connection		
25-27	09-0673	ignition electrode		left (supplied with part 6)
28	08-5859	support		
29	25-5928	cable tree		

Main component 04 Burner VC 142 E H,B

Pict. No.	Article-No.	Part	Indic.	Type, Remarks
				H = Natural gas, B = LP-gas
1	18-3905	distributor tube		
2	24-7140	burner nozzle	Ø 1,40	H
	24-7078	burner nozzle	Ø 0,78	B
3	04-1920	burner chamber group		
4	09-0649	monitoring electrode		right
5	06-0018	screw		
6	09-0034	safety disc		
7	09-0673	ignition electrode		left (supplied with part 6)
8	09-1513	ignition wire		
9	13-3936	screw		
10	98-2495	packingring		
12	08-5859	support		
13	10-5758	screw		
14	23-5727	screw		
15	08-8946	flow switch connection		
16	04-0364	nut		
17	98-1805	packingring		
18	08-1063	connection		
19	08-0369	hose		
20	13-3504	nipple		
21	13-3505	nipple		
22	08-8947	flow switch connection		
23	98-2481	packingring		B
24	04-9608	throttle jet	Ø 3,25	B
31	08-4945	connection piece		
32	25-5928	cable tree		

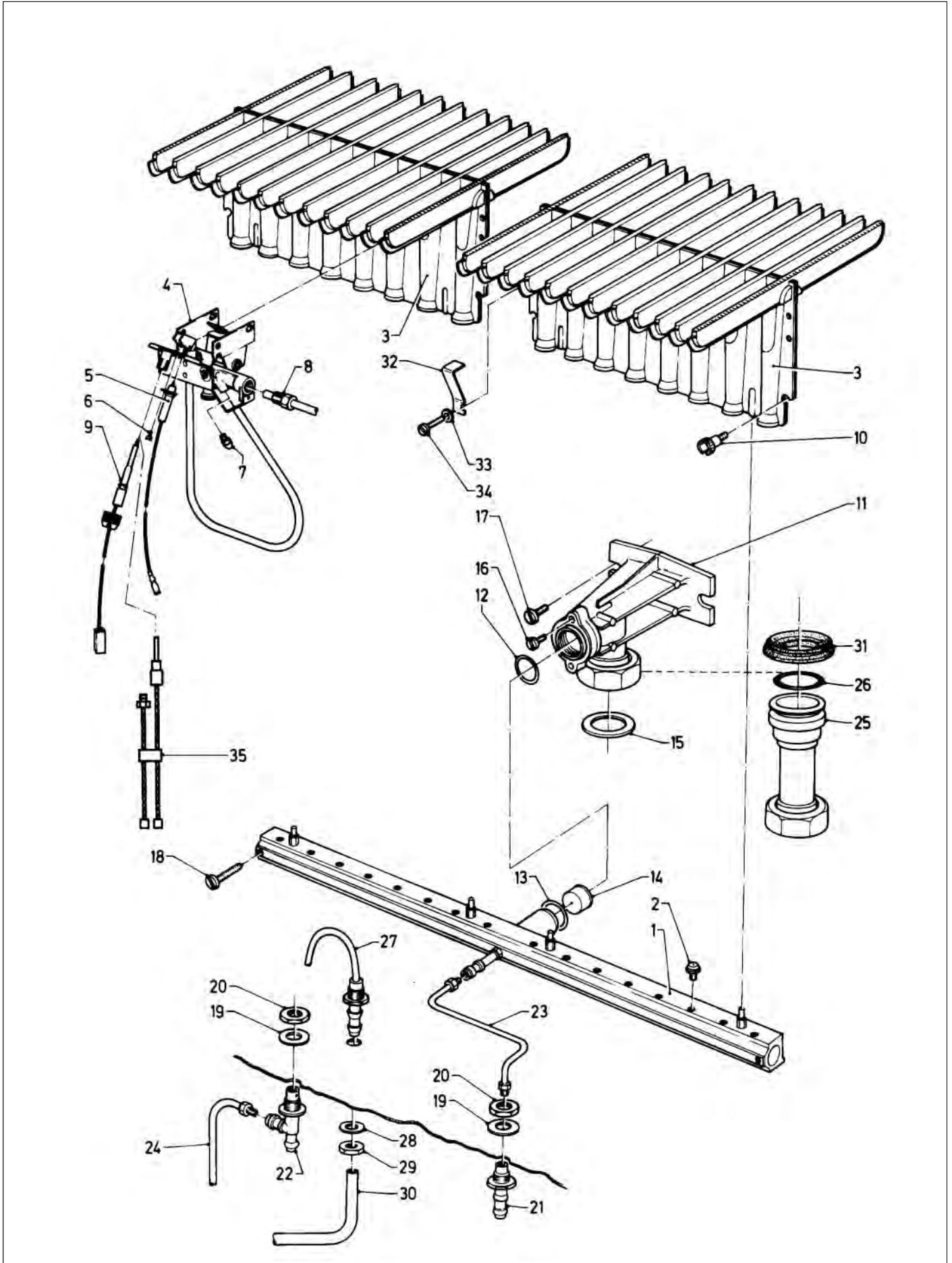
Main component 04 Burner, Pilotburner
VC 180,240 T, VCW 240,280 T H,B



Main component 04 Burner, Pilotburner VC 180,240 T, VCW 240,280 T H,B

Pict. No.	Article-No.	Part	Indic.	Type, Remarks
				S = town gas, H = Natural gas, B = LP-gas
1	18-3968	distributor tube		180
	18-3969	distributor tube		240,280
2	24-7260	burner nozzle	Ø 2,60	S
	24-7150	burner nozzle	Ø 1,50	H
	24-7080	burner nozzle	Ø 0,80	B
3	04-0467	burner chamber group		180
	04-0468	burner chamber group		240,280
6	06-0018	screw		
8	04-2951	pilot burner support		supplied with parts 6,11
11	09-0643	ignition electrode		
12	04-2876	pilot burner nozzle	Ø 0,45	S
	04-2864	pilot burner nozzle	Ø 0,30	H
	04-2874	pilot burner nozzle	Ø 0,18	B
13	17-1165	thermo-couple		
14	04-3931	pilot burner tube		
17	13-3936	screw		
18	08-4957	connection piece		
19	98-2495	packingring		
20	98-2481	packingring		B
21	04-9604	throttle jet	Ø 3,40	180 B
	04-9603	throttle jet	Ø 4,00	240 B
	04-9612	throttle jet	3 x Ø 3,50	280 B
22	98-1512	packingring		
23	23-5727	screw		
24	10-5758	screw		
25	23-5728	screw		
26	09-1060	piezo ignition		lead attached to piezo ignition unit, not available seperatley

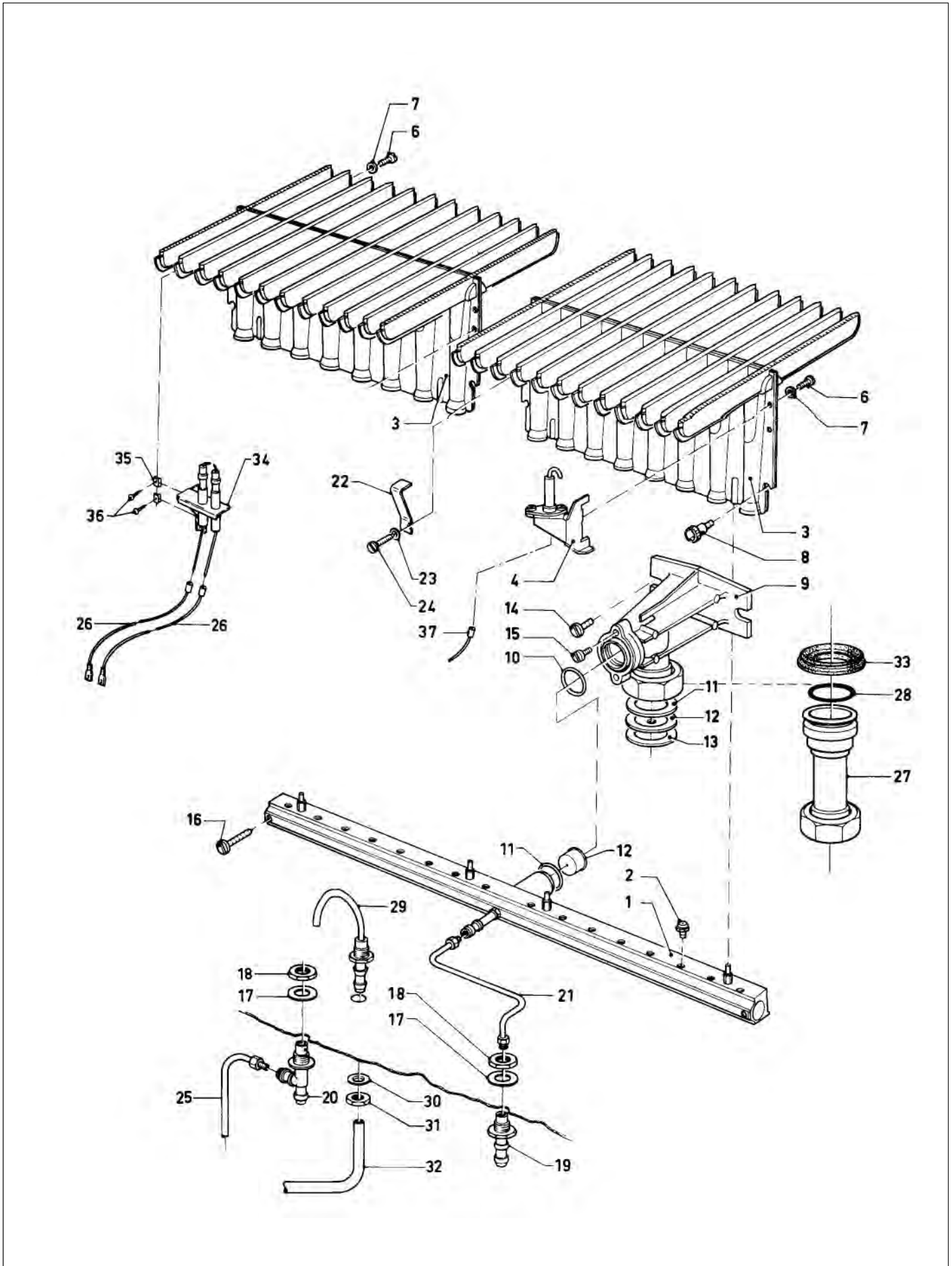
Main component 04 Burner, Pilotburner VC-VCW 221 T H,B



Main component 04 Burner, Pilotburner VC-VCW 221 T H,B

Pict. No.	Article-No.	Part	Indic.	Type, Remarks
				S = town gas, H = Natural gas, B = LP-gas
1	18-3973	distributor tube		
2	24-7130	burner nozzle	Ø 1,30	H
	24-7078	burner nozzle	Ø 0,78	B
3	04-0468	burner chamber group		
4	04-2968	pilot burner support		supplied with parts 5,6
5	09-0658	ignition electrode		
6	13-9201	screw		
7	04-2876	pilot burner nozzle	Ø 0,45	S
	04-2864	pilot burner nozzle	Ø 0,30	H
	04-2874	pilot burner nozzle	Ø 0,18	B
8	04-3939	pilot burner tube		
9	-	thermo-couple		old execution, see pict.-no. 35 (new) replaced by 17-1181
10	13-3936	screw		
11	08-4944	connection piece		
12	98-2495	packingring		
13	98-2481	packingring		B
14	04-9607	throttle jet	Ø 3,70	B
15	98-1512	packingring		
16	10-5758	screw		
17	23-5727	screw		
18	23-5728	screw		
19	98-1805	packingring		
20	04-0364	nut		
21	13-3504	nipple		
22	13-3505	nipple		
23	08-8949	flow switch connection		
24	08-8930	flow switch connection		
25	08-3891	tube		
26	98-2499	packingring		
27	08-1063	connection		
28	98-0202	packingring		
29	11-4848	nut		
30	08-0369	hose	250 mm	diaphragm pump
31	98-0765	packingring		
32	07-0881	cover plate		supplied with parts 33,34
33	06-0021	disc		
34	23-5715	screw		
35	17-1181	thermo-couple		

Main component 04 Burner
VC 182,242,282 E, VCW 242,282 E H,B

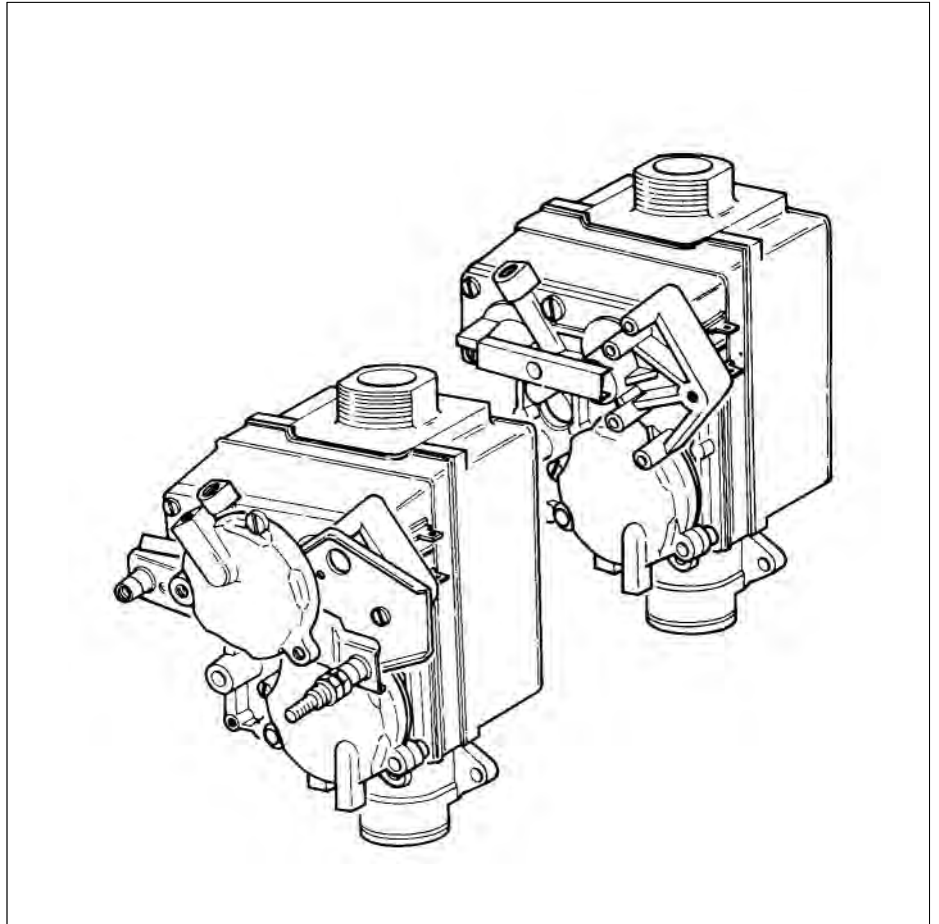


Main component 04 Burner

VC 182,242,282 E, VCW 242,282 E H,B

Pict. No.	Article-No.	Part	Indic.	Type, Remarks
				S = town gas, H = Natural gas, B = LP-gas
1	18-3972 18-3973	distributor tube distributor tube		182 242,282
2	24-7260 24-7140 24-7078	burner nozzle burner nozzle burner nozzle	Ø 2,60 Ø 1,40 Ø 0,78	S H B
3	04-0467 04-0468	burner chamber group burner chamber group		182 242,282
4	09-0649	monitoring electrode		right
6	13-9203	screw		
7	09-0034	safety disc		
8	13-3936	screw		
9	08-4944	connection piece		supplied with part 10
10	98-2495	packingring		
11	98-2481	packingring		B
12	04-9604 04-9603 04-9610	throttle jet throttle jet throttle jet	Ø 3,40 Ø 4,00 2x Ø 3,10	182 B 242 B 282 B
13	98-1512	packingring		
14	23-5727	screw		
15	10-5758	screw		
16	23-5728	screw		
17	98-1805	packingring		
18	04-0364	nut		
19	13-3504	nipple		
20	13-3505	nipple		
21	08-8949	flow switch connection		
22	07-0881	cover plate		
23	06-0021	disc		
24	23-5715	screw		
25	08-8930	flow switch connection		
26	09-1513	ignition wire		
27	08-3891	tube		
28	98-2499	packingring		
29	08-1063	connection		
30	98-0202	packingring		
31	11-4848	nut		
32	08-0369	hose	250 mm	
33	98-0765	packingring		
34-36	09-0673	ignition electrode		left (supplied with part 26)
37	25-5928 25-5929	cable tree cable tree		VC... VCW...

Main component 05



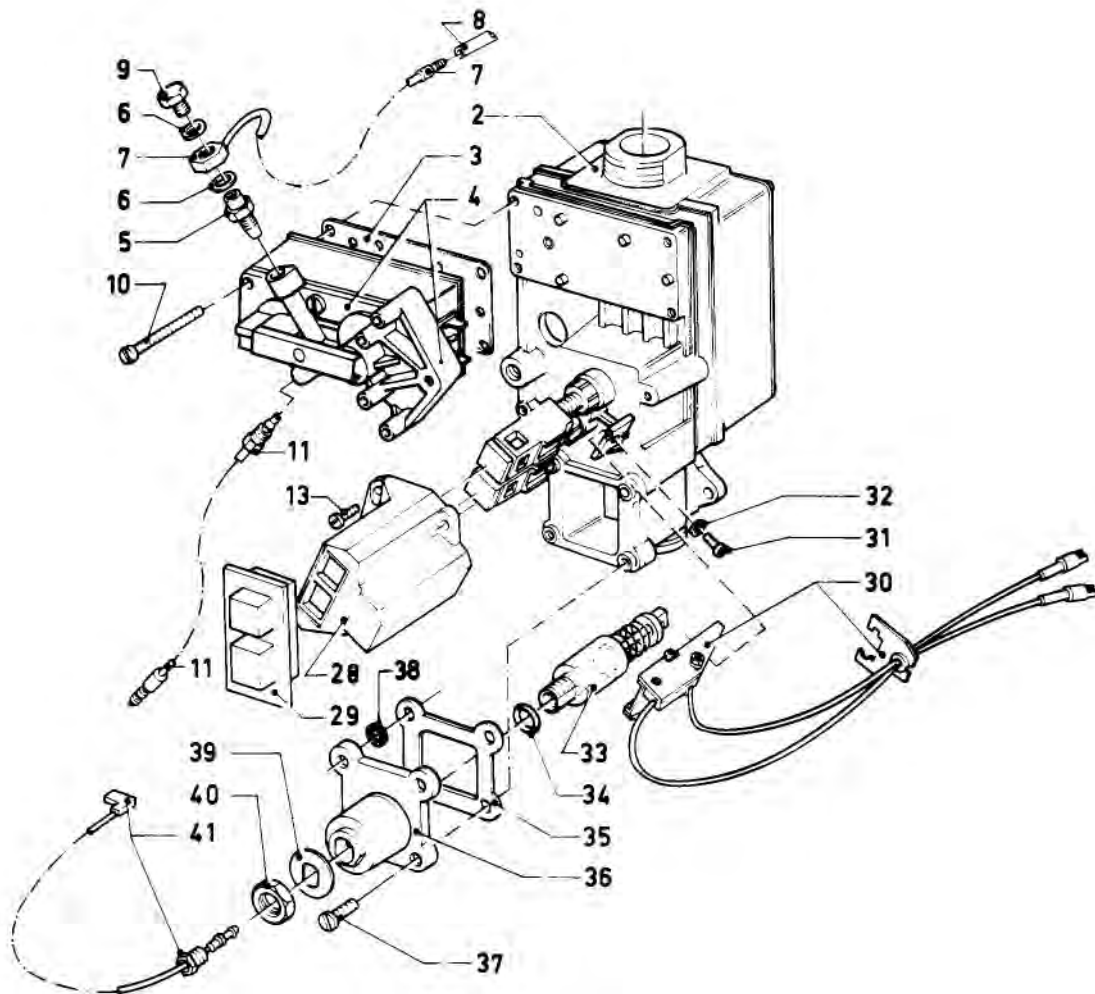
Gas section
VC 110,180,221,240 T, VCW 221,240,280 T H, B
Gas section
VC 112,142,182,242,282 E, VCW 242,282 E H, B

Page

36 - 37

38 - 39

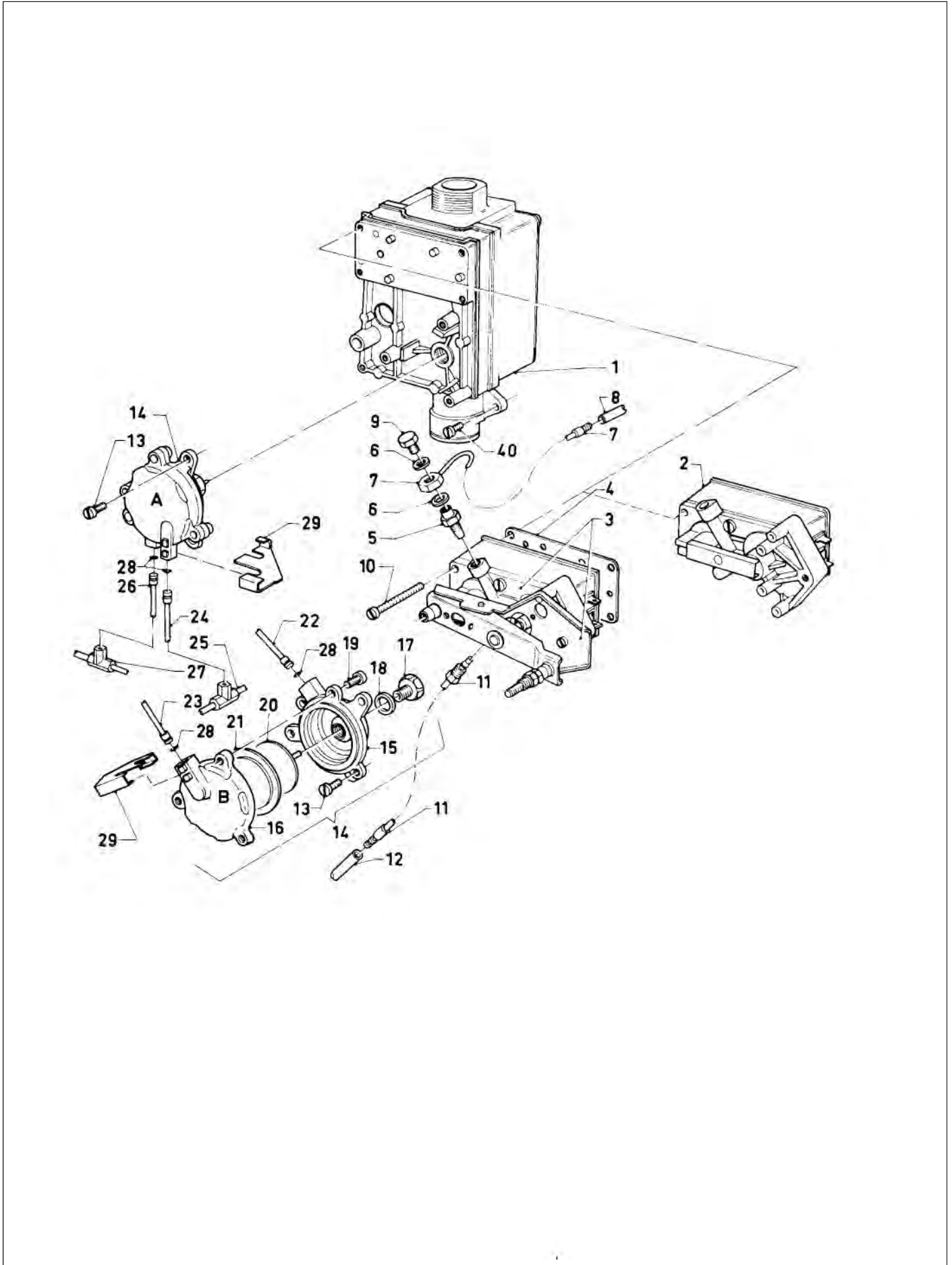
Main component 05 Gas section
VC 110,180,221,240 T, VCW 221,240,280 T H, B



Main component 05 Gas section
VC 110,180,221,240 T, VCW 221,240,280 T H, B

Pict. No.	Article-No.	Part	Indic.	Type, Remarks
				S = town gas, H = Natural gas, B = LP-gas
2	05-3073 05-3076	gas section gas section		S,H } B } supplied with parts 3,4,13,28,30-40
3	98-0831	packingring		
4	05-0224 05-0167	operator operator		S,H } B } supplied with parts 3,6
5	21-9235 21-9233 21-9232	operating jet operating jet operating jet	19 M 16 M	110,180 H S, 180,221,240 H B
6	98-1504	packingring		
7	21-8011 08-4128	flow switch connection hose connection		110 180-280
8	08-0357	hose	145 mm	
9	13-3702	screw		
10	10-5782	screw		
11	21-8013 08-4127 08-8930	flow switch connection hose connection flow switch connection		110 180,240,280 221
12	08-0358	hose	60 mm	110,180,240,280
13	49-2147	screw		
28	20-4038	cap		
29	07-1472	push button		
30	12-6234	micro-switch		
31	06-0018	screw		
32	49-2112	disc		
33	17-0295	magneto		
34	98-2472	packingring		
35	98-0842	packingring		
36	19-5031	magneto housing		
37	10-5758	screw		
38	11-1459	disc		
39	17-0025	locking plate		
40	04-0364	nut		
41	08-9526	connection line		no longer required on VC-VCW 221 only, use part 17-1181

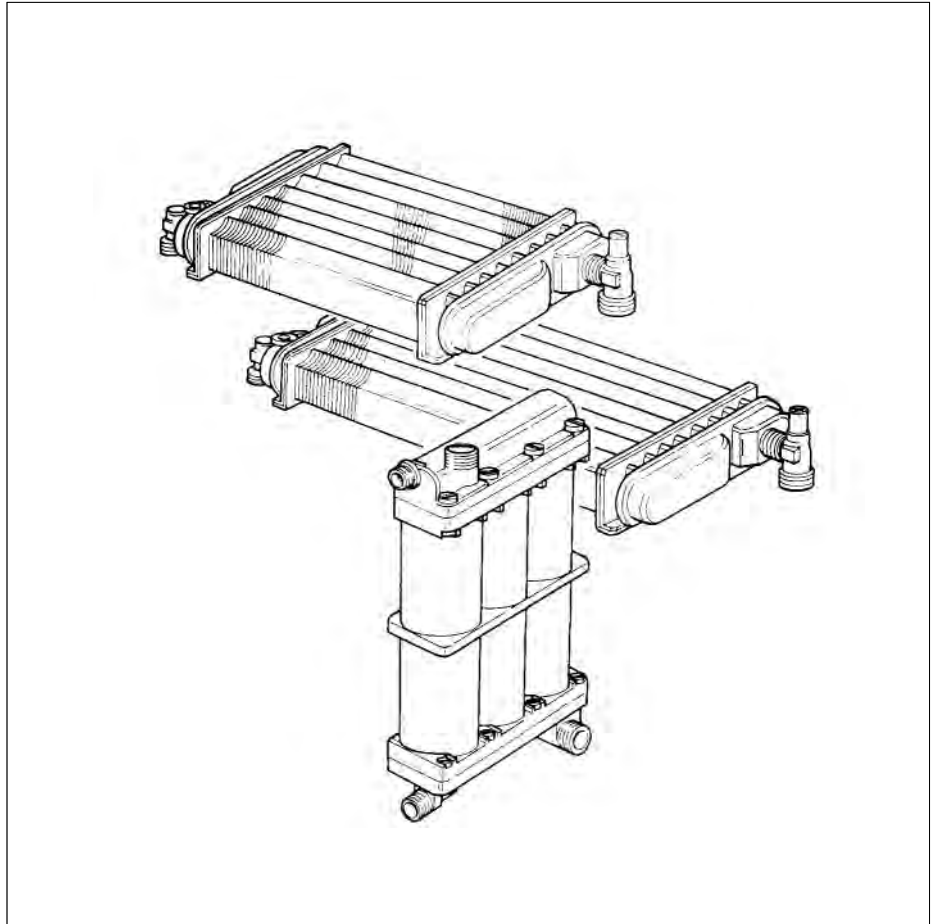
Main component 05 Gas section
VC 112,142,182,242,282 E, VCW 242,282 E H, B



Main component 05 Gas section
VC 112,142,182,242,282 E, VCW 242,282 E H, B

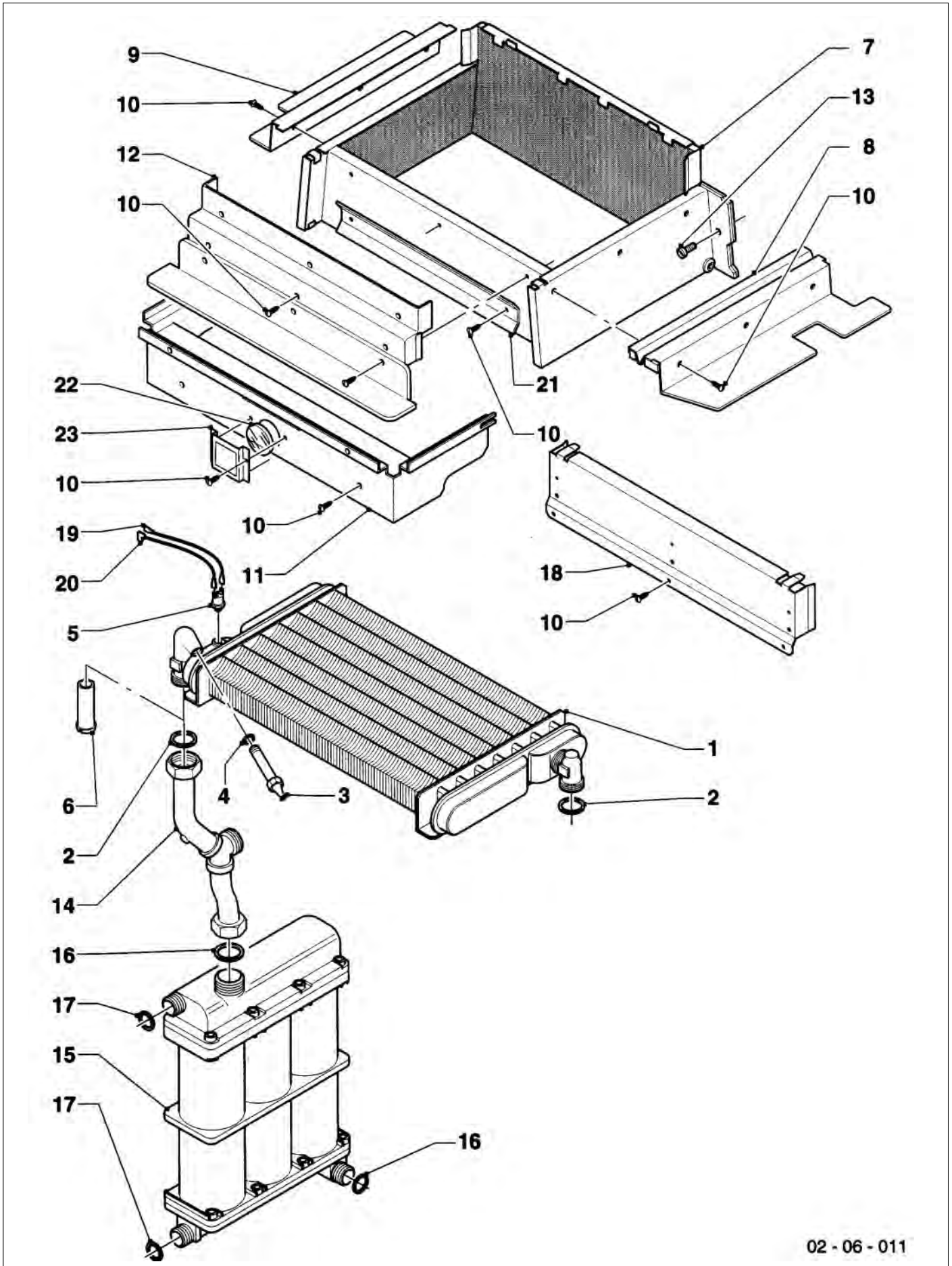
Pict. No.	Article-No.	Part	Indic.	Type, Remarks
				S = town gas, H = Natural gas, B = LP-gas
1	05-3255 05-3079	gas section gas section		S,H } B } supplied with parts 2,4,6,10,13-21
2	05-0224	operator		S,H } B } supplied with parts 4,6
3	05-0167 05-0164	operator operator		H (with part load device)
4	98-0831	packingring		
5	21-9233	operating jet	16 M	S
	21-9235	operating jet	19 M	H
	21-9232	operating jet		B
6	98-0224	packingring		
7	21-8011	flow switch connection		112,142
	08-4128	hose connection		182,242,282
8	08-0357	hose	145 mm	
9	13-3702	screw		
10	10-5782	screw		
11	08-8947	flow switch connection		112,142
	08-8930	flow switch connection		182,242,282
12	08-0358	hose	60 mm	
	08-0369	hose	255 mm	
13	11-8948	screw		
14	15-1017	pressure diff. switch		
15-16	-	-		single delievery not possible, with part 15-1017
17	01-2156	stuffing box		
18	98-0223	packingring		
19	11-8947	screw		
20	-	diaphragm disc		single delievery not possible, with part 15-1017
21	02-0220	diaphragm		
22-27	-	connection		see main component 08
28	98-2490	packingring		
29	15-4133	bow		
40	10-5758	screw		

Main component 06



	Page
Heat exchanger VC 110,180,240 T, VCW 240,280 T	42 - 43
Heat exchanger VC 112,182,242,282 E, VCW 242,282 E	44 - 45
Heat exchanger VC 142	46 - 47
Heat exchanger VC-VCW 221	48 - 49
Heat exchanger (DHW) VCW 180-282 E	50 - 51

Main component 06 Heat exchanger
VC 110,180,240 T, VCW 240,280 T

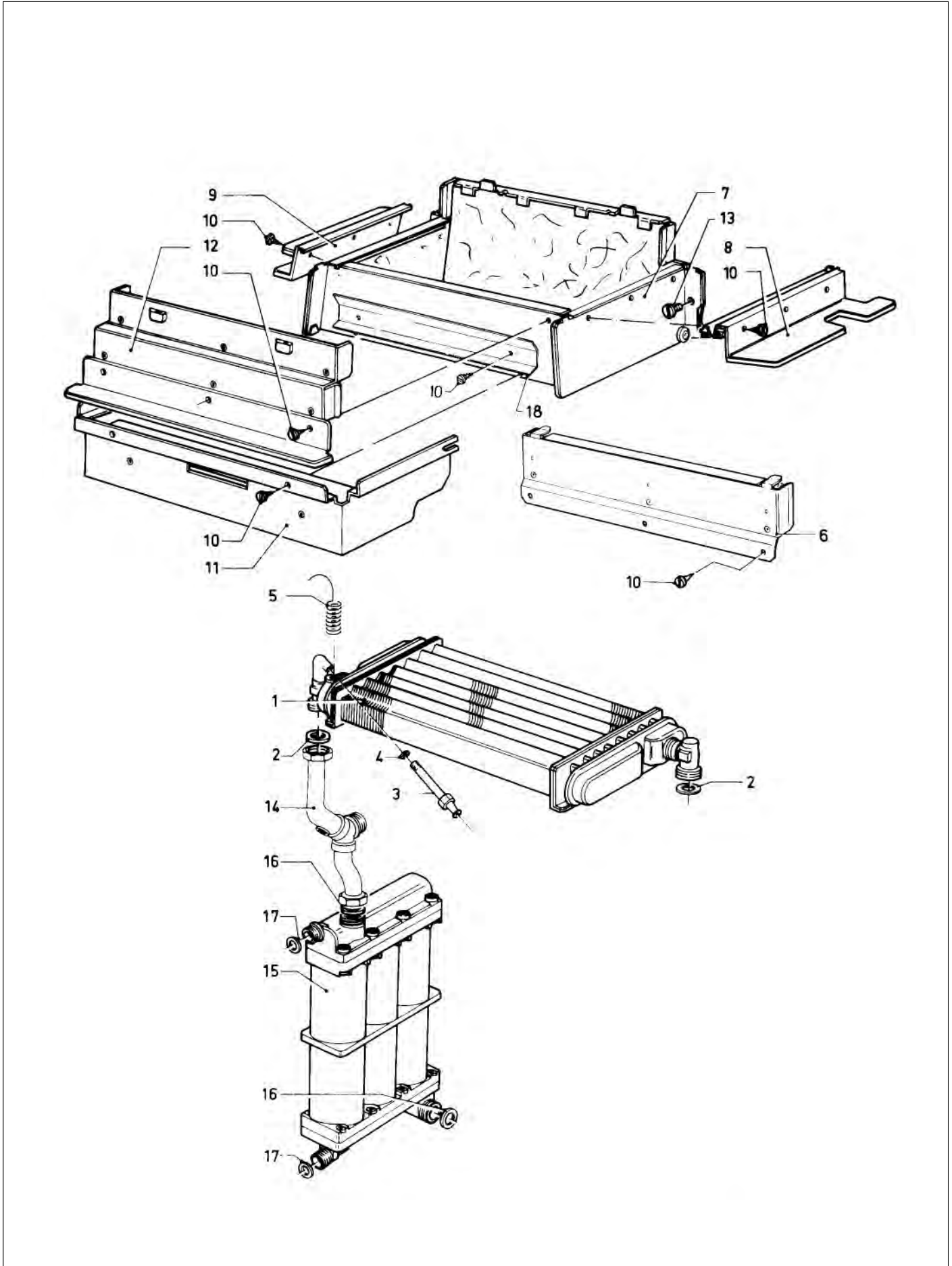


02 - 06 - 011

Main component 06 Heat exchanger VC 110,180,240 T, VCW 240,280 T

Pict. No.	Article-No.	Part	Indic.	Type, Remarks
1	06-1849 06-1835 06-1836 06-1872	heat exchanger heat exchanger heat exchanger heat exchanger		110 } 180 } supplied with parts 2-4 240 } 280 }
2	98-1511	packingring		supplied with part 4
3	17-7511	de-aeration screw		
4	98-2459	packingring		
5	10-1462	temperature limiter		
6	13-3908	screw		
7	11-8335 11-8463 11-8465 11-8467	combustion chamber combustion chamber combustion chamber combustion chamber		
8-9	-	single delivery not possible		see pict.-nr. 7
10	08-8624	screw		
11	07-9415 07-9416 07-9407 07-9405	guide plate guide plate air duct air duct		110 right 110 left 180 240,280
12	08-4937 08-4936 08-4953	connection piece connection piece connection piece		180 240 280
13	23-5727	screw		
14	-	connection		see main component 08
15	-	heat exchanger (DHW)		replaced by, 06-5034 see page 50 + 51
16	98-1602	packingring		} VCW only
17	98-1609	packingring		
18	08-4939	connection piece		110
19	08-9572	connection line		
20	08-9571	connection line		
21	15-3396	guide plate		only 280
22	16-1225	inspection glass		} only 110
23	13-1813	frame for inspection glass		

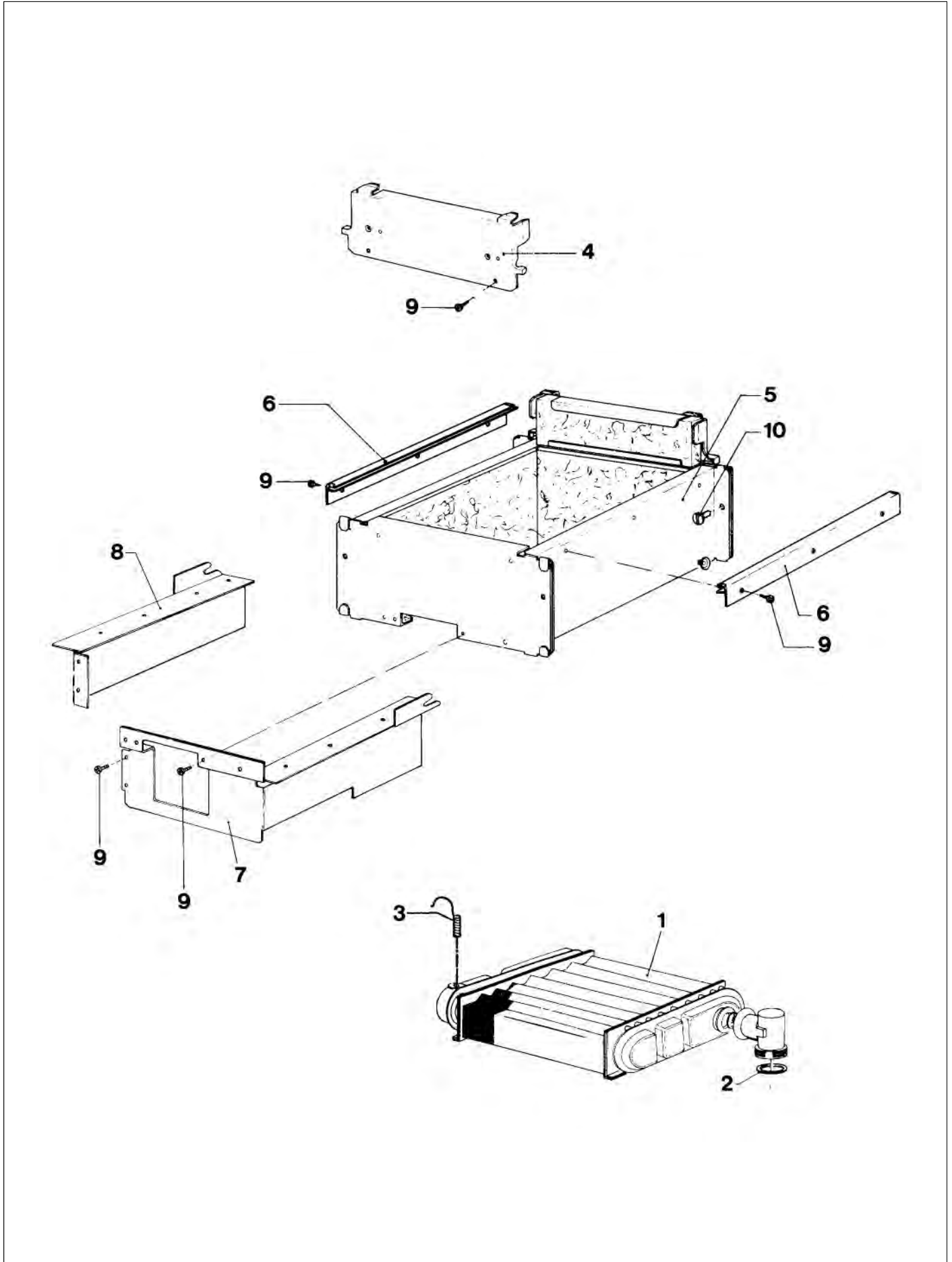
Main component 06 Heat exchanger
VC 112,182,242,282 E, VCW 242,282 E



Main component 06 Heat exchanger VC 112,182,242,282 E, VCW 242,282 E

Pict. No.	Article-No.	Part	Indic.	Type, Remarks
1	06-1849 06-1835 06-1836 06-1872	heat exchanger heat exchanger heat exchanger heat exchanger		112 } 182 } supplied with parts 2-4 242 } 282 }
2	-	packingring		see main component 08
3	17-7511	de-aeration screw		supplied with part 4
4	98-2459	packingring		
5	10-1384 10-1392 10-1391	temperature limiter temperature limiter temperature limiter		112 182 242,282
6	08-4939 08-4942 08-4941 08-4959	connection piece connection piece connection piece connection piece		112 182 242 282
7	11-8335 11-8464 11-8466 11-8468	combustion chamber combustion chamber combustion chamber combustion chamber		112 } 182 } supplied with parts 8,9 242 } 282 }
8-9	-	single delivery not possible		see pict.-nr. 7
10	08-8624	screw		3,5 + 4,8 x 9,5
11	07-9415 07-9416	guide plate guide plate		right } left } only VC 112
12	-	not necessary		
13	23-5727	screw		
14	-	connection tube		see main component 08
15	-	heat exchanger (DHW)		replaced by, 06-4953 see page 50 + 51 } VCW only
16	98-1602	packingring		
17	98-1609	packingring		
18	-	not necessary		

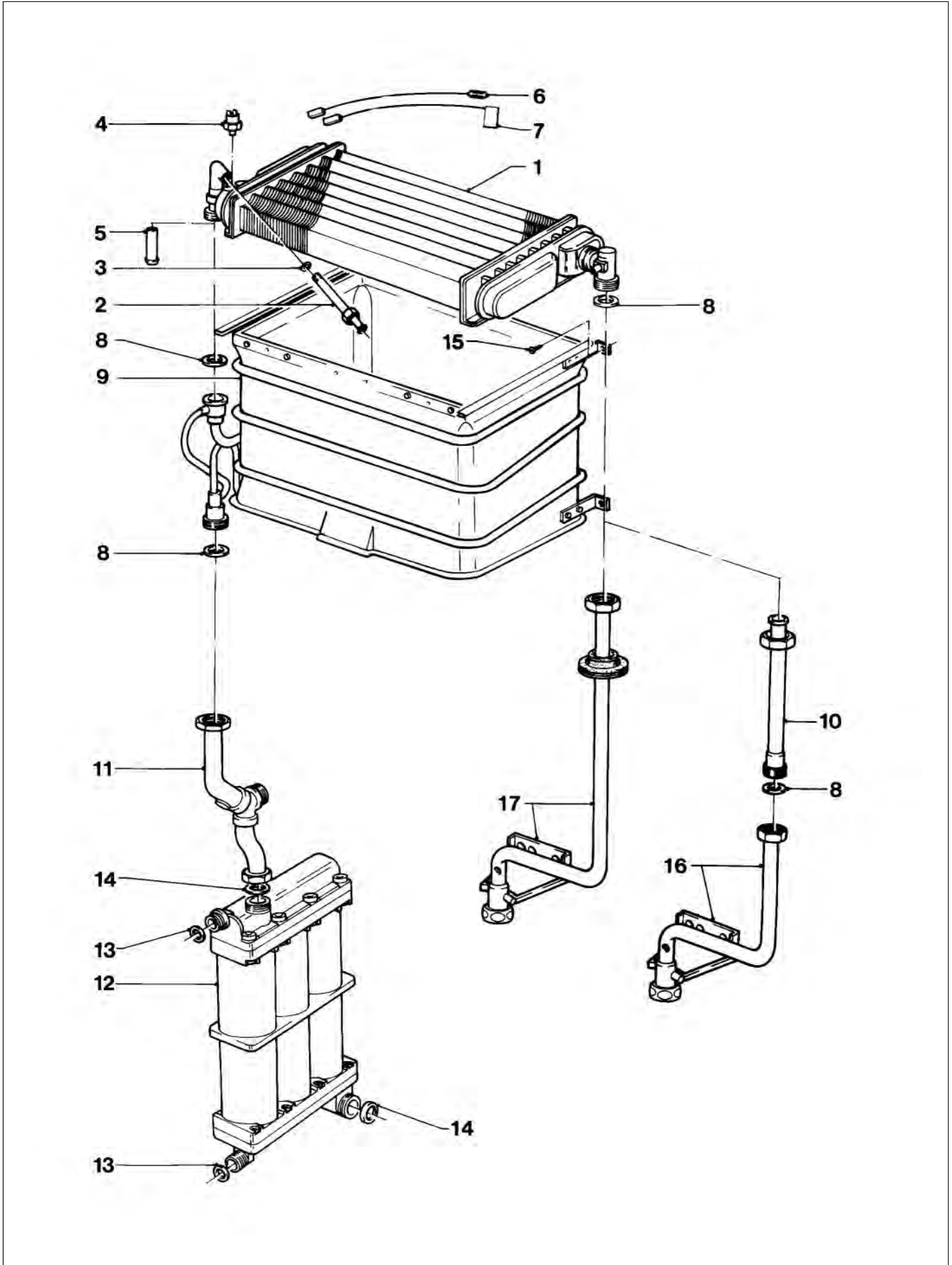
Main component 06 Heat exchanger VC 142



Main component 06 Heat exchanger VC 142

Pict. No.	Article-No.	Part	Indic.	Type, Remarks
1	06-1849	heat exchanger		supplied with part 2
2	-	packingring		see main component 08
3	10-1384	temperature limiter		
4	08-4939	connection piece		
5	11-8334	combustion chamber		
6	15-3338	guide plate		
7	07-9424	guide plate		
8	07-9425	guide plate		
9	08-8624	screw		
10	23-5727	screw		

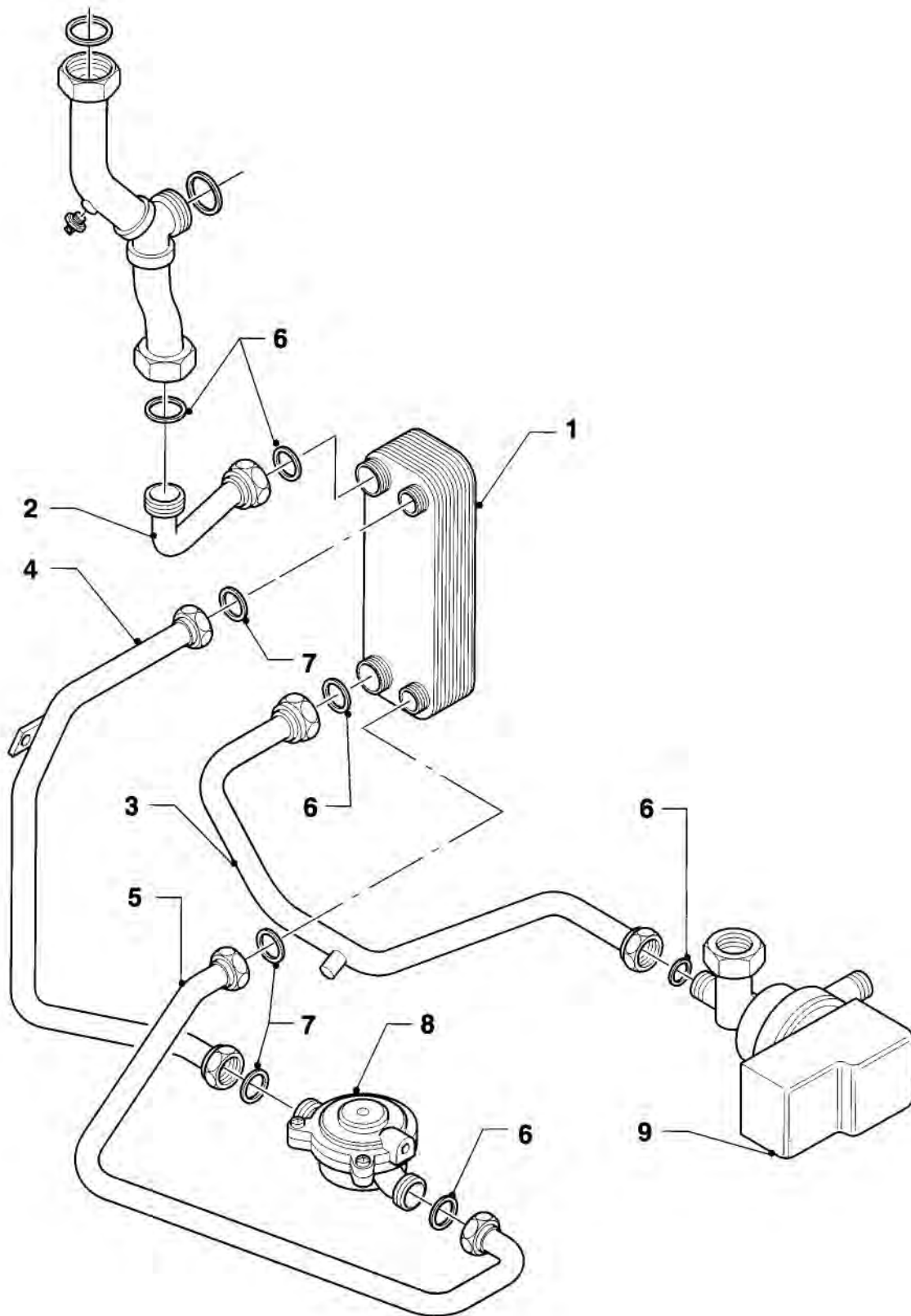
Main component 06 Heat exchanger VC-VCW 221



Main component 06 Heat exchanger VC-VCW 221

Pict. No.	Article-No.	Part	Indic.	Type, Remarks
1	06-1891	heat exchanger		supplied with parts 2,3,8 supplied with part 3
2	17-7511	de-aeration screw		
3	98-2459	packingring		
4	10-1462	temperature limiter		supplied with part 8
5	13-3908	screw		
6	08-9572	connection line		
7	08-9571	connection line		
8	98-1511	packingring		
9	11-8328	combustion chamber		
10	08-9134	connection		
11	-	connection tube		
12	-	heat exchanger (DHW)		replaced by, 06-5034 see page 50 + 51
13	98-1609	packingring		
14	98-1602	packingring		
15	23-5715	screw		} VCW only
16	08-1316	connecting tube		
17	08-9186	connecting tube		

Main component 06 Heat exchanger (DHW) VCW 180-282 E

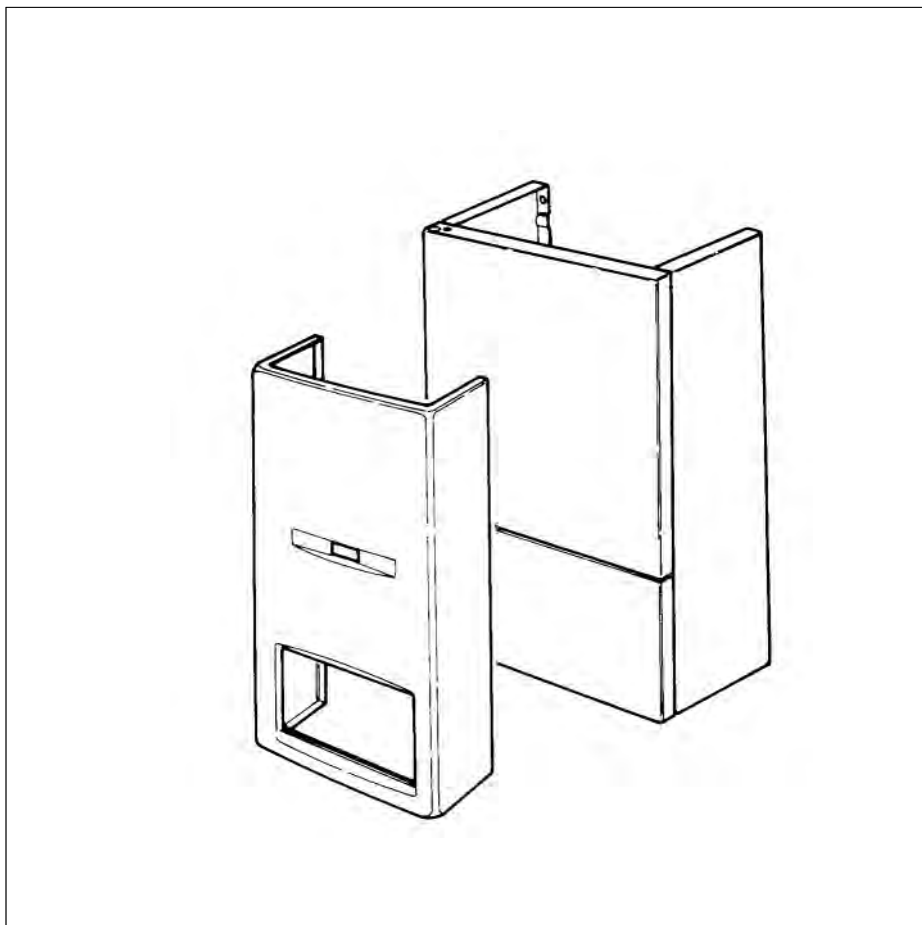


02 - 06 - 009

Main component 06 Heat exchanger (DHW) VCW 180-282 E

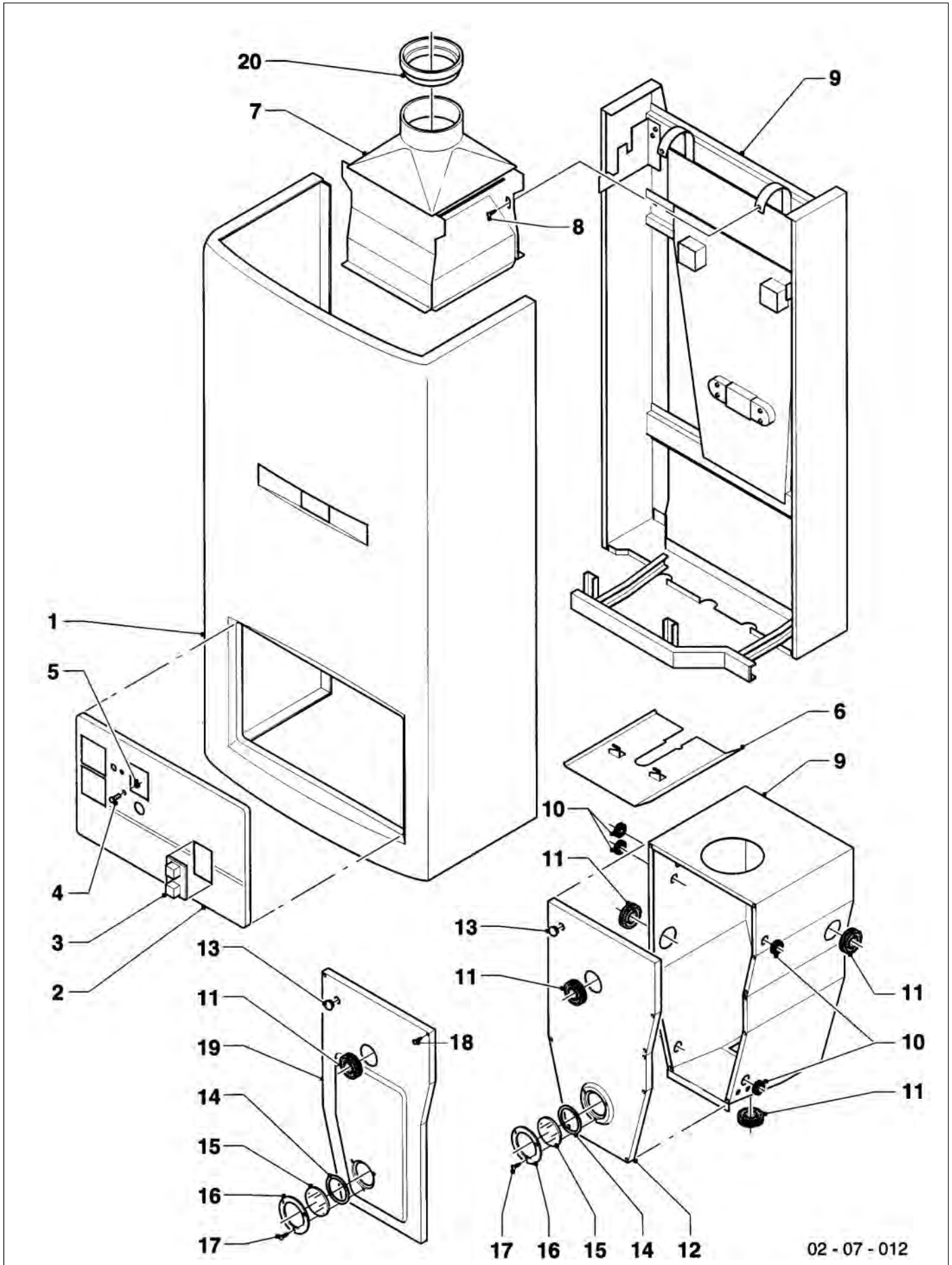
Pict. No.	Article-No.	Part	Indic.	Type, Remarks
1	06-4946 06-5034	heat exchanger (DHW) heat exchanger set		supplied with parts 6,7 supplied with parts 2-7,9 replacement for the plastic DHW heat exchanger 06-1834
2	08-9298	connecting tube		
3	08-9094	connecting tube		
4	08-9299	connecting tube		
5	08-9003	cold water tube,cpl.		
6	98-0151	packingring		
7	98-0012	packingring		
8	-	water valve		see main component 01
9	-	Hydraulically controlled diverter valve		see main component 01

Main component 07



	Page
Casing parts VC 110 T, 112 E	54 - 55
Casing parts VC 142 E	56 - 57
Casing parts VC 180,240 T, VCW 240,280 T	58 - 59
Casing parts VC 182,242,282 E, VCW 242,282 E	60 - 61
Casing parts VC-VCW 221 T	62 - 63
Air/Flue duct assembly VC 112,142,182,242,282 E, VCW 242,282 E	64 - 65
Wallcase VC-VCW 221 T	66 - 67
Vertical air/flue duct assembly VC 112,142,182,242,282 E, VCW 242,282 E (Acc.-no. 9293,9020,9056,9076,9077)	68 - 69

Main component 07 Casing parts
VC 110T, 112 E

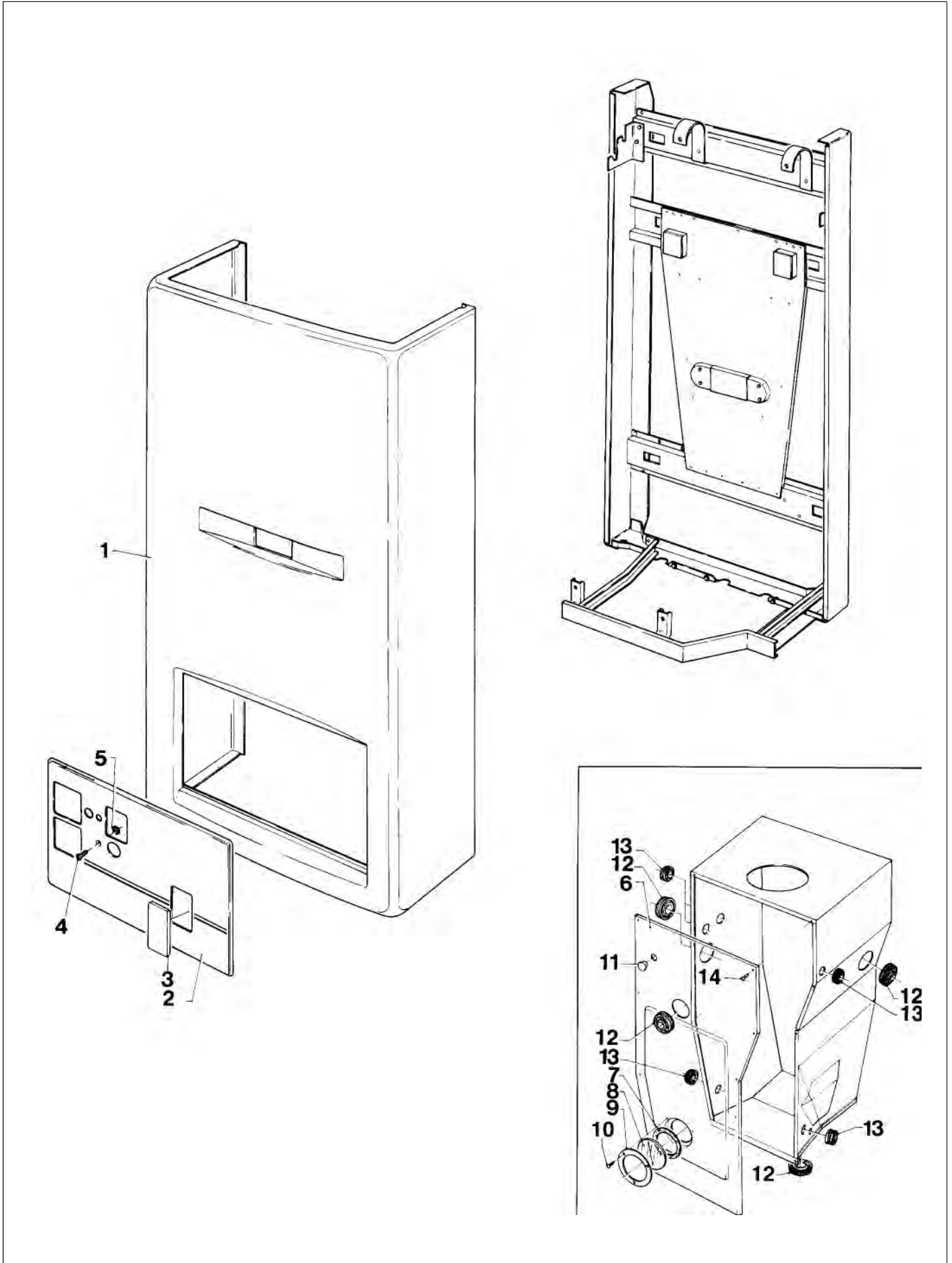


02 - 07 - 012

Main component 07 Casing parts VC 110 T, 112 E

Pict. No.	Article-No.	Part	Indic.	Type, Remarks
1	07-2914	cowling		
2	07-5460	covering plate		
3	07-1472	push button		110 T
	20-8672	covering plate		112 E
4	07-0046	screw		
5	04-0186	tension ring		
6	21-3365	back panel		} only for 110 T
7	07-4945	draft diverter		
8	23-5727	screw		
9	-	single delivery not possible		
10	98-0766	packingring		} only for 112 E
11	98-0765	packingring		
12	07-8257	covering plate		
13	20-4063	cap		
14	98-1746	packingring		
15	16-1225	inspection glass		
16	20-8719	covering plate		
17	08-8624	screw		
18	13-0005	screw		
19	07-8272	covering plate		
		supplied with parts 11,13-17		
20	08-8214	flue adaptor		110 T
		Timer assembly, acc.-no. 2378053		
-	2370101	covering plate		} black plastic spring clips are separate } not shown
-	2370099	time clock		
-	2370100	wiring harness		

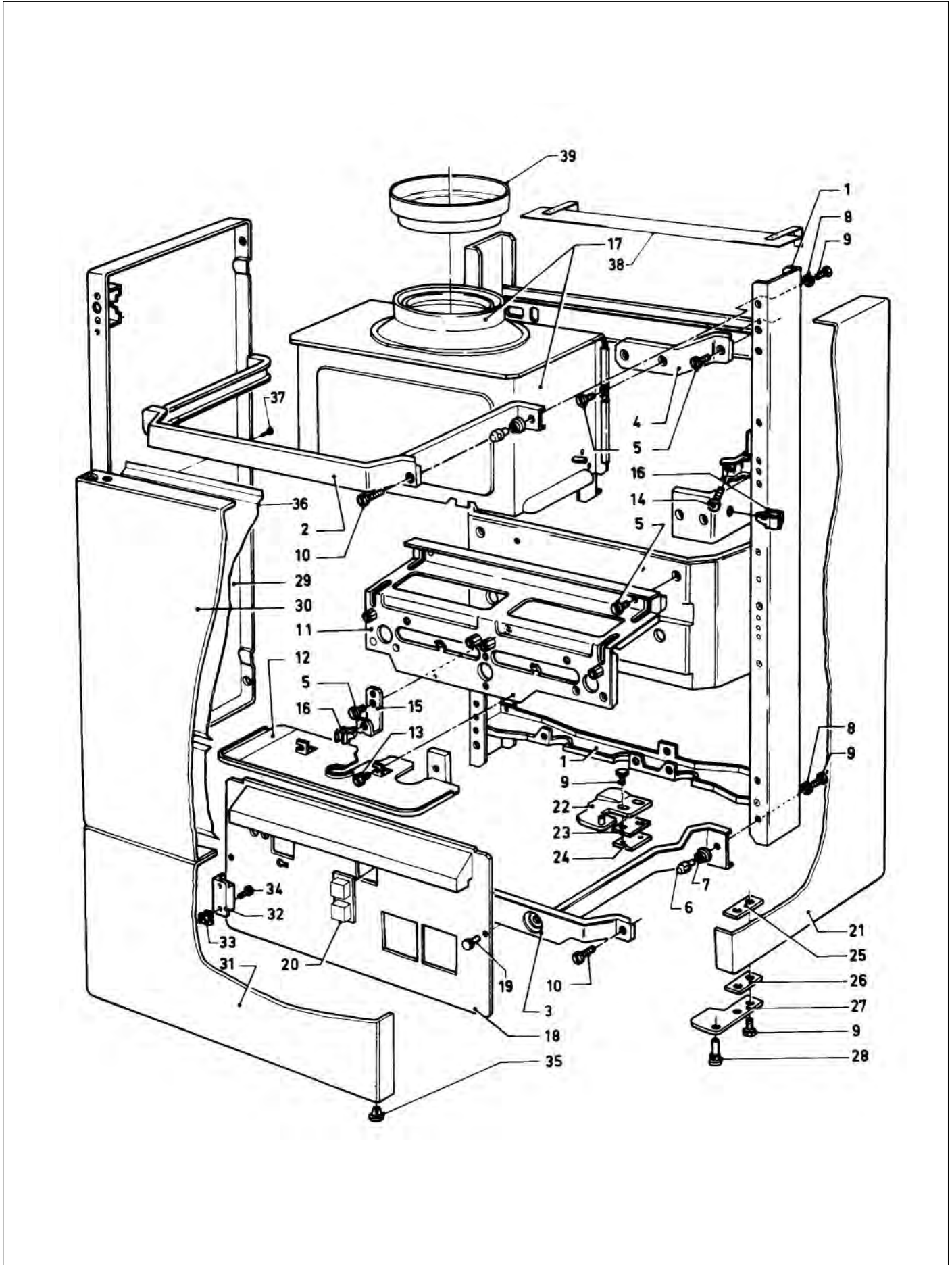
Main component 07 Casing parts VC 142 E



Main component 07 Casing parts VC 142 E

Pict. No.	Article-No.	Part	Indic.	Type, Remarks
1	07-2914	cowling		supplied with parts 3-5
2	07-5460	covering plate		
3	20-8672	covering plate		
4	07-0046	screw		
5	04-0186	tension ring		
6	07-8272	covering plate		supplied with parts 7-12
7	98-1746	packingring		
8	16-1225	inspection glass		
9	20-8719	covering plate		
10	08-8624	screw		
11	20-4063	cap		
12	98-0765	packingring		
13	98-0766	packingring		
14	13-0005	screw		
		Timer assembly, acc.-no. 2378053		
-	2370101	covering plate		black plastic spring clips are separate } not shown
-	2370099	time clock		
-	2370100	wiring harness		

Main component 07 Casing parts
VC 180,240 T, VCW 240,280 T

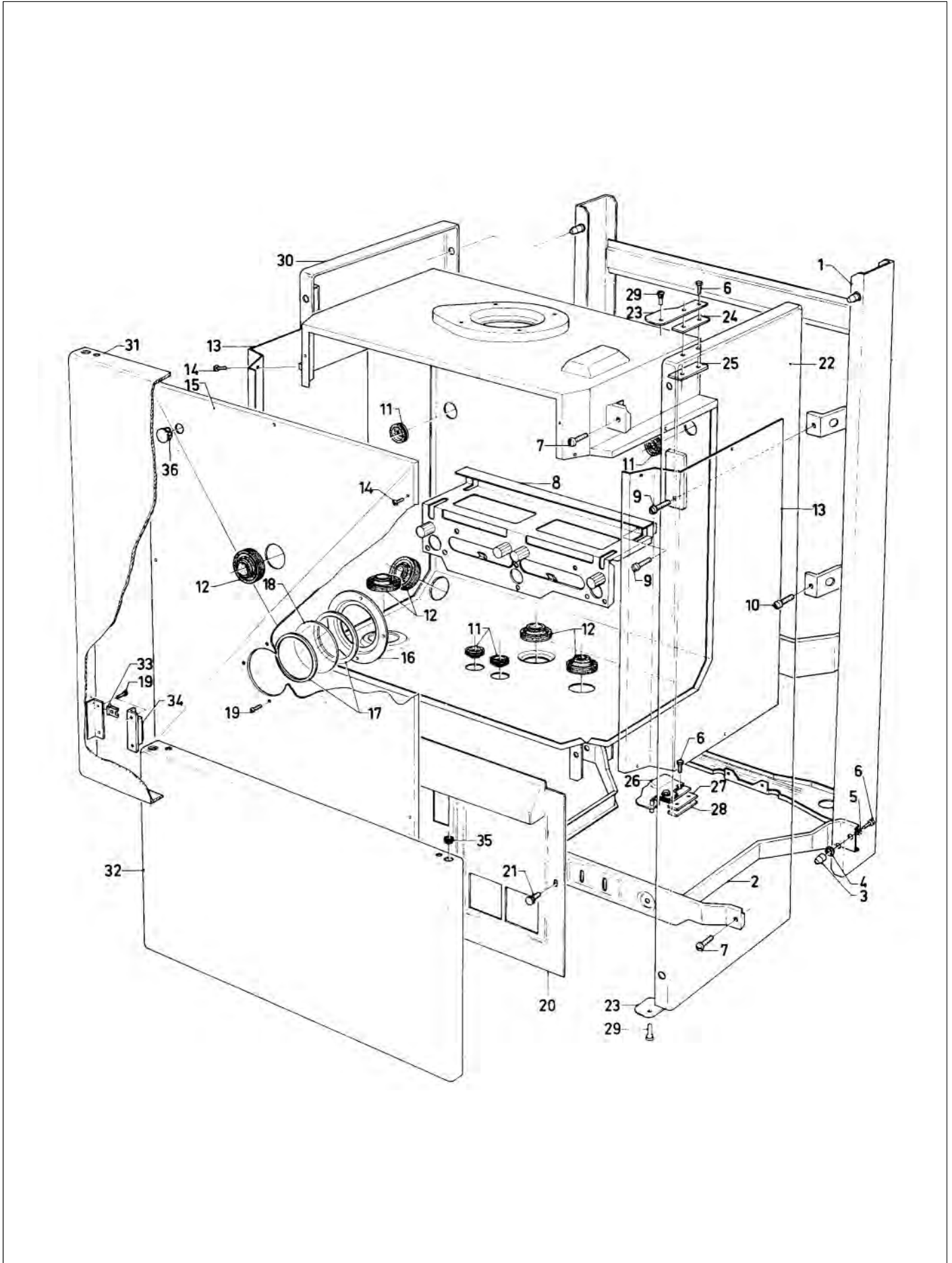


Main component 07 Casing parts

VC 180,240 T, VCW 240,280 T

Pict. No.	Article-No.	Part	Indic.	Type, Remarks
1	-	chassis		not available as a spare part
2	15-4220	bow		
3	15-4227	bow		
4	08-6322	support		
5	23-5727	screw		
6	07-0357	nut		
7	98-0093	packingring		
8	06-0020	disc		
9	07-0350	screw		
10	23-5737	screw		
11	14-9627	support		180
	14-9628	support		240,280
12	21-3362	back panel		
13	13-9203	screw		
14	11-6477	screw		
15	22-1723	support		
16	12-6153	spring		
17	07-4920	draft diverter		180
	07-4921	draft diverter		240
	07-4940	draft diverter		280
18	07-5461	covering plate		
19	13-3799	screw	M 8 x 4	knurled
	23-5715	screw	4,8 x 9,5	sheet metal (from 04/95)
20	07-1472	push button		
21	07-9920	lateral panel	right	supplied with parts 9,22-27
22-27	08-8620	fastening set		supplied with part 28
28	07-0351	screw		
29	07-9921	lateral panel	left	
30	29-4012	top door		180,240 (supplied with parts 32-35)
	29-4030	top door		280 (supplied with parts 32-37)
31	29-4013	bottom door		supplied with parts 32-35
32	17-0356	door magnet		only for 180,240 (slide on version from 04/95)
	07-0355	door magnet		280 (screwed type)
33	15-8207	nut		
34	23-5748	screw		
35	12-4870	bush		
36	21-3377	back panel		} only for 280
37	23-5748	screw		
38	15-3375	guide plate		
39	08-8215	flue adaptor		180
	08-8216	flue adaptor		240
	08-8214	flue adaptor		280
		Timer assembly, acc.-no. 2378054		
-	2370102	covering plate		} black plastic spring clips are separate } not shown
-	2370099	time clock		
-	2370100	wiring harness		

Main component 07 Casing parts
VC 182,242,282 E, VCW 242,282 E

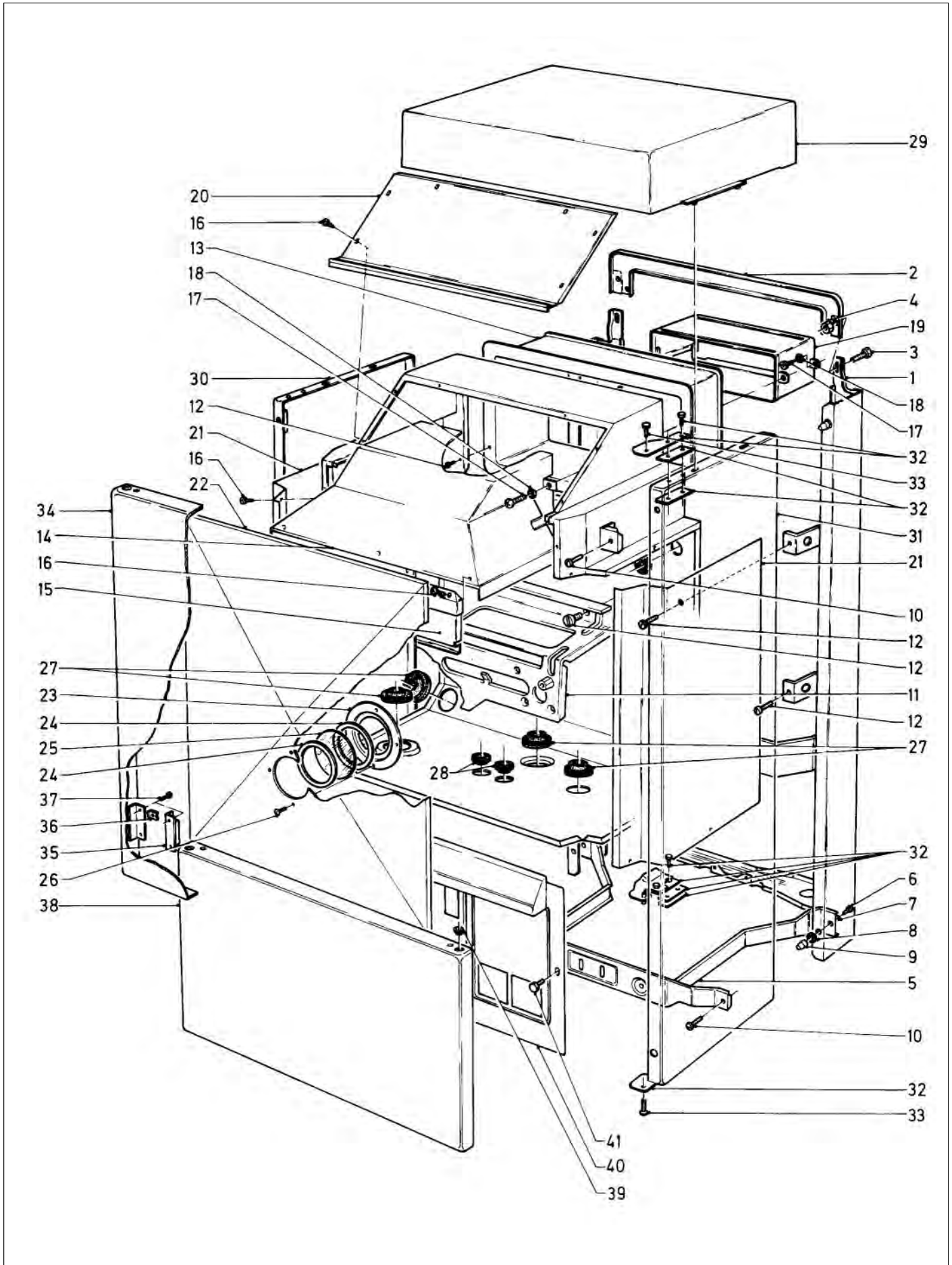


Main component 07 Casing parts

VC 182,242,282 E, VCW 242,282 E

Pict. No.	Article-No.	Part	Indic.	Type, Remarks
1	-	chassis		not available as a spare part
2	15-4227	bow		
3	07-0357	nut		
4	98-0093	packingring		
5	06-0020	disc		
6	07-0350	screw		
7	23-5737	screw		
8	14-9627	support		182
	14-9628	support		242,282
9	23-5727	screw		
10	11-6477	screw		
11	98-0766	packingring		
12	98-0765	packingring		
13	20-7267	side panel		
14	23-5715	screw		
15	07-8253	front panel		screwed type (supplied with parts 12,16-19,36)
	07-8274	front panel		snapped type (supplied with parts 16-19)
16	28-2249	ring		
17	98-1746	packingring		
18	16-1225	inspection glass		
19	23-5748	screw		
20	07-5461	covering plate		supplied with part 20-8672
	20-8672	covering plate		not shown
21	13-3799	screw	M 8 x 4	knurled
	23-5715	screw	4,8 x 9,5	sheet metal (from 04/95)
22	07-9920	lateral panel	right	supplied with parts 23-28
23-28	08-8620	fastening set		supplied with part 29
29	07-0351	screw		
30	07-9921	lateral panel	left	
31	29-4012	top door		} supplied with parts 19,33-35
32	29-4013	bottom door		
33	15-8207	nut		
34	17-0356	door magnet		slide on version from 04/95
	07-0355	door magnet		screwed type
35	12-4870	bush		
36	20-4063	cap		
		Timer assembly, acc.-no. 2378054		VC 182,242 E, VCW 242 E
		Timer assembly, acc.-no. 2378055		VC-VCW 282 E
-	2370102	covering plate		VC 182,242 E, VCW 242 E
-	2370103	covering plate		VC-VCW 282 E
-	2370099	time clock		black plastic spring clips are separate
-	2370100	wiring harness		} not shown

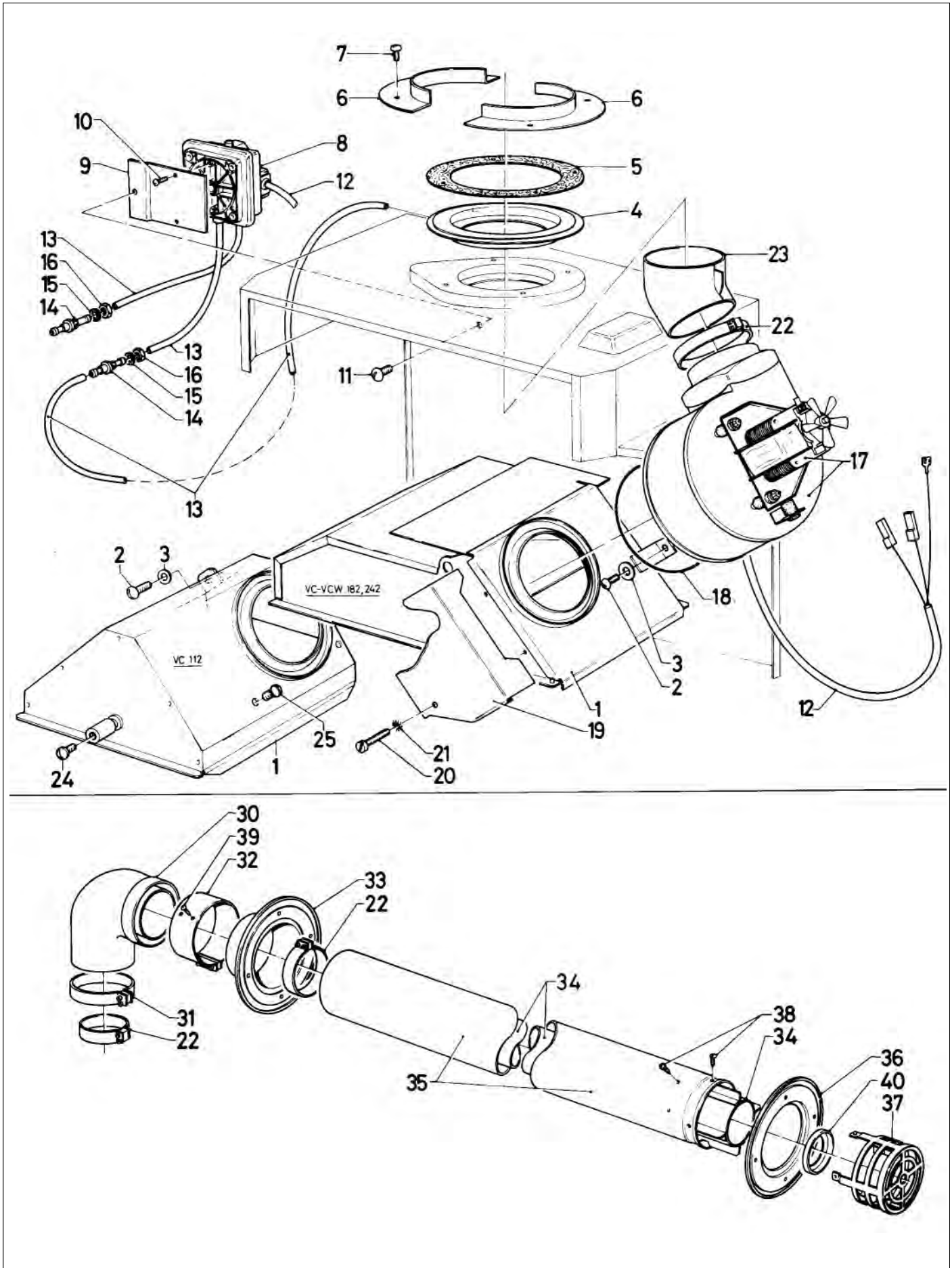
Main component 07 Casing parts VC-VCW 221 T



Main component 07 Casing parts VC-VCW 221 T

Pict. No.	Article-No.	Part	Indic.	Type, Remarks
1	-	chassis		not available as a spare part
2	20-8816	support		
3	11-6462	screw		
4	11-4848	nut		
5	15-4227	bow		
6	07-0350	screw		
7	06-0020	disc		
8	98-0093	packingring		
9	07-0357	nut		
10	23-5737	screw		
11	14-9628	support		
12	23-5727	screw		
13	07-3134	inner part of wall case		
14	14-5973	cap		
15	07-0886	cover plate		
16	23-5715	screw		
17	23-5738	screw		
18	49-2032	disc		
19	14-5578	connection duct		
20	07-8262	front panel		
21	20-7267	side panel		
22	07-8274	front panel		supplied with parts 23-26
23	28-2249	ring		
24	98-1746	packingring		
25	16-1225	inspection glass		
26	23-5748	screw		
27	98-0765	packingring		
28	98-0766	packingring		
29	17-8427	cap		
30	07-9921	lateral panel	left	
31	07-9920	lateral panel	right	supplied with part 32
32	08-8620	fastening set		supplied with part 33
33	07-0351	screw		
34	29-4012	top door		supplied with parts 35-37,39
35	17-0356	door magnet		slide on version from 04/95
	07-0355	door magnet		screwed type
36	15-8207	nut		
37	23-5748	screw		
38	29-4013	bottom door		supplied with parts 35-37,39
39	12-4870	bush		
40	07-5461	covering plate		
41	13-3799	screw	M 8 x 4	knurled
	23-5715	screw	4,8 x 9,5	sheet metal (from 04/95)

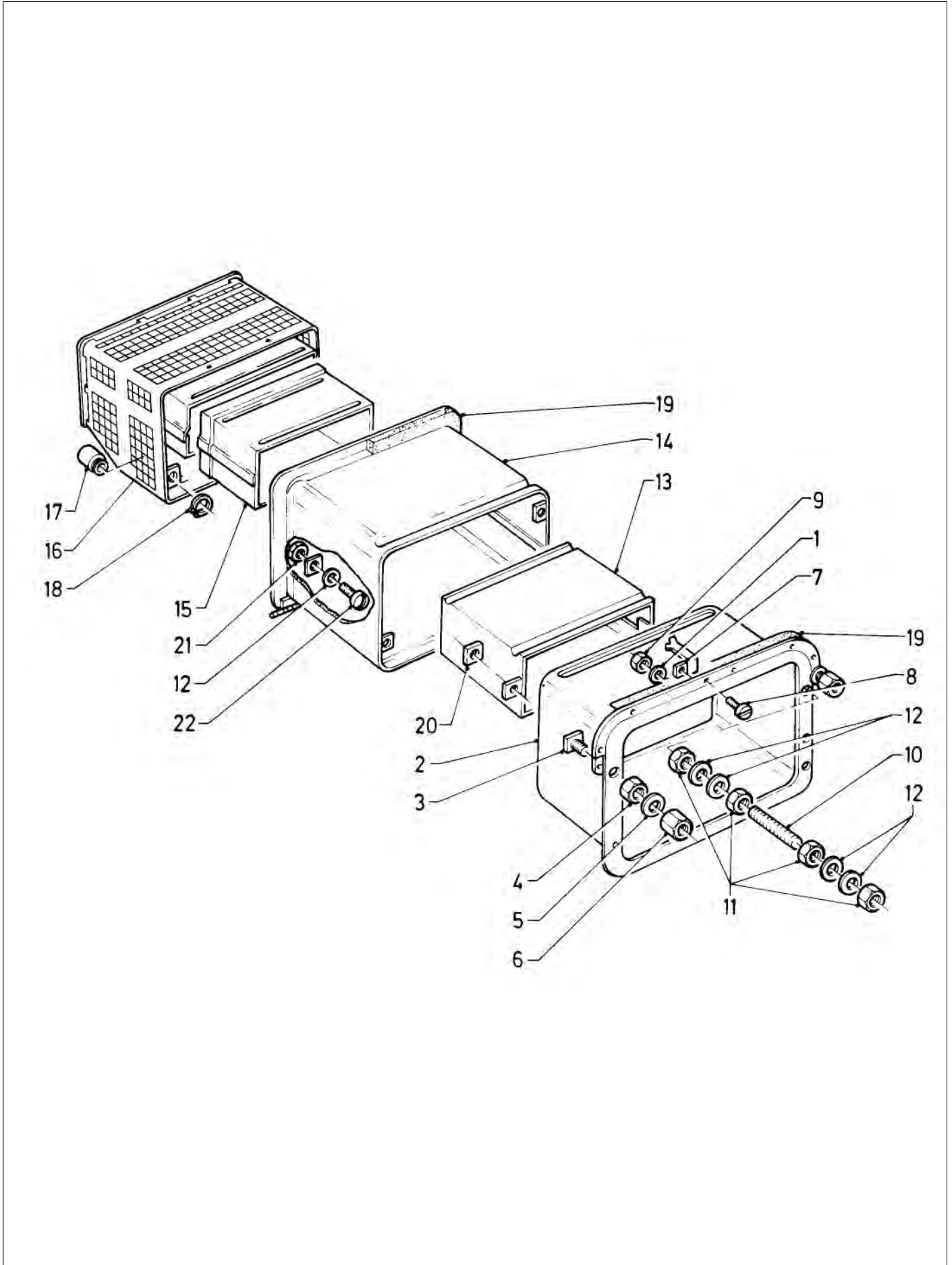
Main component 07 Air/Flue duct assembly
VC 112,142,182,242,282 E, VCW 242,282 E



Main component 07 Air/Flue duct assembly VC 112,142,182,242,282 E, VCW 242,282 E

Pict. No.	Article-No.	Part	Indic.	Type, Remarks
1	07-2324 07-2341 07-2342 07-2362	cap cap cap cap		112,142 (supplied with part 24) 182 242 282
2	23-5715	screw		
3	07-0338	disc		
4	07-5546 07-5547 07-5548 07-5549	covering plate covering plate covering plate covering plate		112 142 182 242,282
5	98-0883	packingring		
6	29-2208	ring		
7	50-0046	screw		
8	05-0518	fan proving switch		
9	08-6391	support		
10	23-5748	screw		
11	10-5754 23-5727	screw screw		112,142 (fan proving switch fixed from outside) 182,242,282 (fan proving switch fixed from inside)
12	25-5855	cable tree		
13	08-0369	hose		
14	08-0831	connection		} only for 182,242,282
15	98-0202	packingring		
16	11-4848	nut		
-	98-0766	packingring		tube inlet for 112,142 (not shown)
17	19-0123 19-0122	flue fan flue fan		112,142 (supplied with part 18) 182,242,282 (supplied with part 18)
18	98-0891 98-0884	packingring packingring		112,142 182,242,282
19	07-8409	clip		} fan bracket for 182,242,282
20	11-8885	screw		
21	06-0014	spring ring		
22	28-2512	collar	Ø 63x22	
23	11-6669	flue connection elbow		
24	01-0082	screw		only for 112,142
25	23-5740	screw		fan bracket for 112,142
26	25-5855	cable tree		
30	28-4841	elbow		
31	28-2515	collar	Ø 95,5x25	
32	28-2513	collar	Ø 95,5x55	
33	14-7022	finishing ring	(internal)	
34	14-5958	flue gas duct		
35	19-2901	tube		
36	14-7024	finishing ring	(external)	
37	07-3647 07-3666	protection grill		acc. 9000, storm guard
38	23-5744	screw		
39	50-0046	screw		
40	19-4119	reduction piece		only for 112,182
-	-	safety guard	not shown	acc. 9308

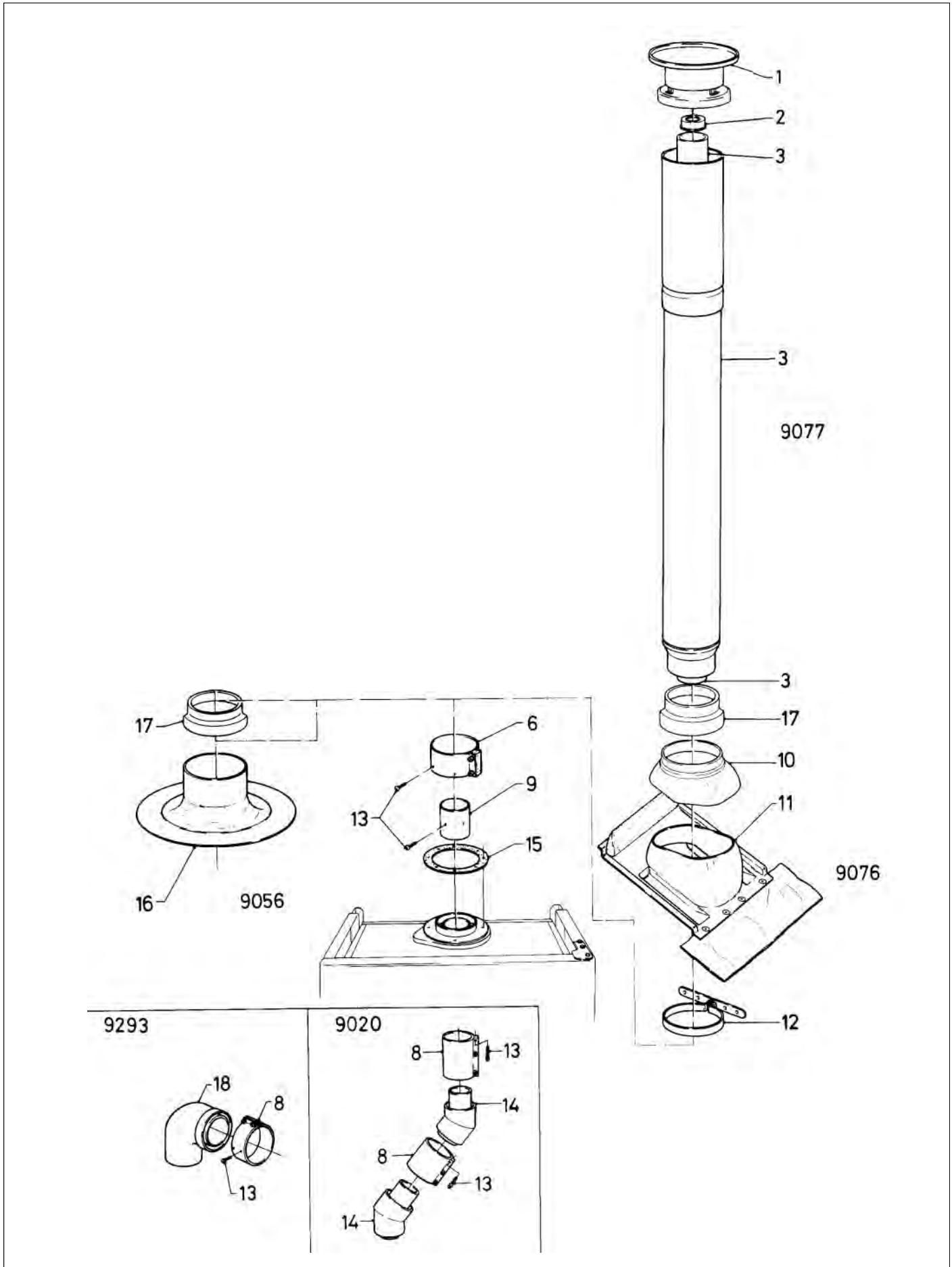
**Main component 07 Wallcase
VC-VCW 221 T**



Main component 07 Wallcase VC-VCW 221 T

Pict. No.	Article-No.	Part	Indic.	Type, Remarks
1	49-2032	disc		
2	07-3110	inner part	98 mm	4 inchs Acc. 251
	07-3112	inner part	131 mm	5 inchs Acc. 252
	07-3114	inner part	221 mm	8 inchs Acc. 253
	07-3126	inner part	311 mm	12 inchs (without support) Acc. 254
	07-3116	inner part	311 mm	12 inchs (with suport) Acc. 255
3	08-6527	support		
4	11-4848	nut		
5	19-1350	disc		
6	21-2718	nut		
7	08-6103	support		
8	20-2612	screw		
9	95-0237	nut		
10	08-4848	tie rod		
11	95-0237	nut		
12	28-4030	disc		
13	14-5574	duct	95 mm	4 inchs Acc. 251
	14-5575	duct	140 mm	5 1/2 inchs Acc. 252
	14-5576	duct	230 mm	9 inchs Acc. 253
	14-5577	duct	320 mm	12 1/2 inchs Acc. 254,255
14	07-3019	exterior part	85 mm	3 inchs Acc. 251
	07-3010	exterior part	130 mm	5 inchs Acc. 252,253,254
	07-3021	exterior part	310 mm	12 inchs Acc. 255
15	14-5516	duct	57 mm	2 inchs Acc. 252,253,254
	14-5518	duct	237 mm	9 inchs Acc. 255
16	07-3662	protection grill		supplied with parts 17,18
17	12-4835	bush		
18	11-5520	safety disc		
19	28-2822	sealing profile		
20	15-8209	nut		
21	28-6401	locking nut		
22	07-0340	screw		
-	-	low level safty guard	not shown	acc. 000296 (520 mm)

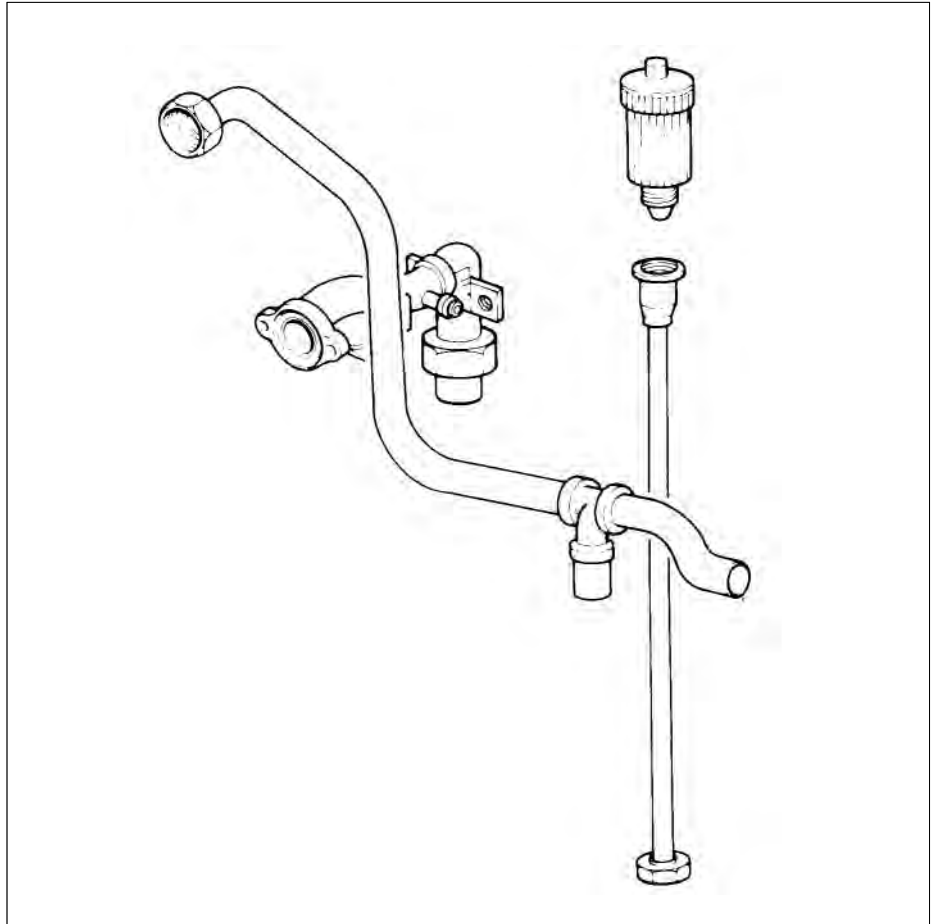
Main component 07 Vertical air/flue duct assembly
VC 112,142,182,242,282 E, VCW 242,282 E
(Acc.-no. 9293,9020,9056,9076,9077)



Main component 07 Vertical air/flue duct assembly
VC 112,142,182,242,282 E, VCW 242,282 E
(Acc.-no. 9293,9020,9056,9076,9077)

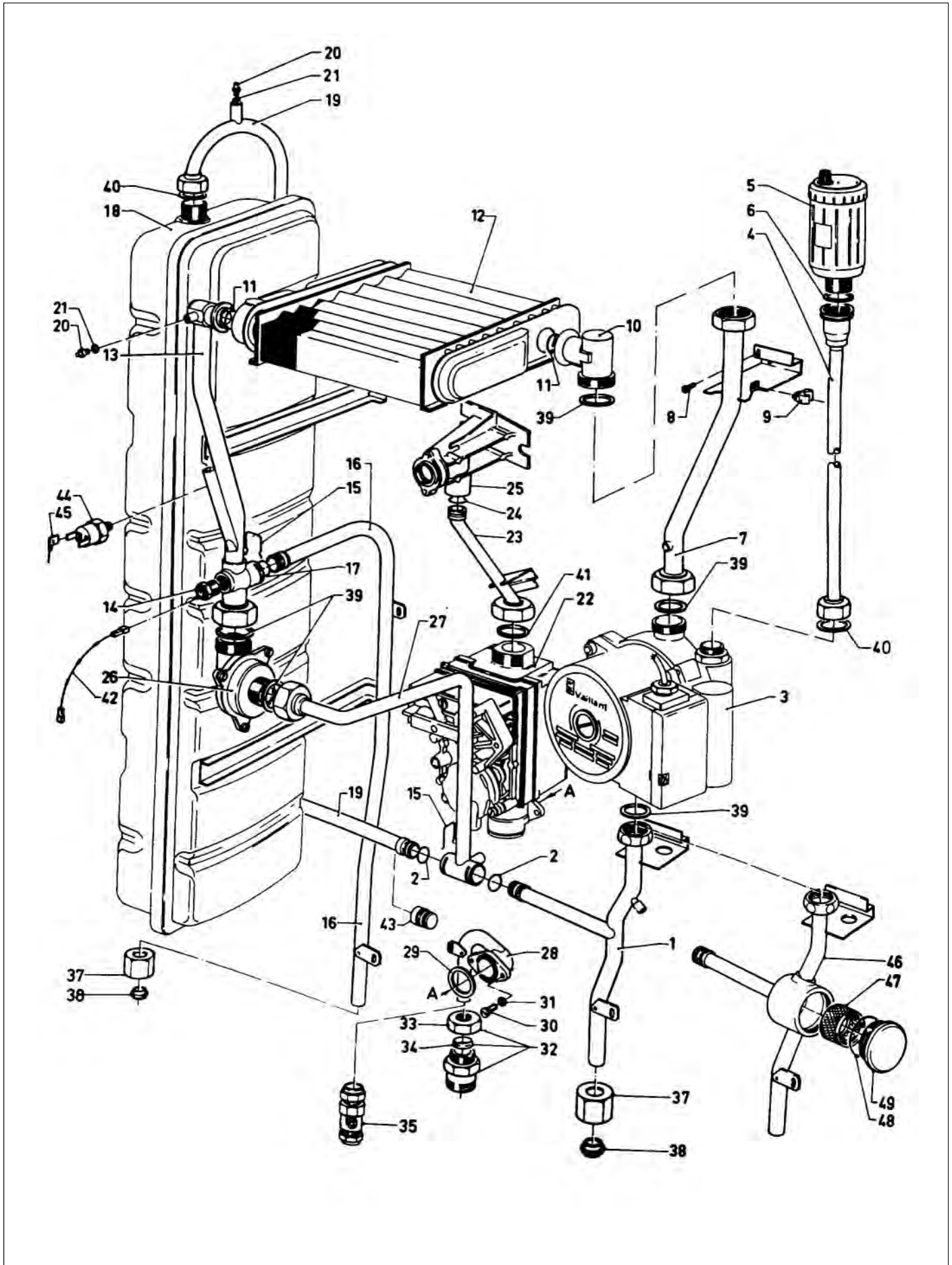
Pict. No.	Article-No.	Part	Indic.	Type, Remarks
1	17-8446	cap		
2	20-8521	reduction piece	Ø 47	
	20-8523	reduction piece	Ø 56,5	
3	-	pipe		only available as part of Acc.-no. 9077
6	28-2516	collar	95,5 Ø x 55	
8	28-2526	collar	95,5 Ø x100	
9	18-8668	bush		
10	25-9955	cap		
11	-	pitched roof tile		only available as part of Acc.-no. 9076
12	15-4146	bow		
13	23-5750	screw		
14	28-4897	elbow		
15	98-0883	packingring		
16	-	flat roof tile		only available as part of Acc.-no. 9056
17	19-4125	reducing piece		only necessary if pos. 10 has a diametre of 133 mm.
18	-	elbow		only available as part of Acc.-no. 9293

Main component 08



	Page
Connection parts VC 110 T, 112,142 E	72 - 73
Connection parts VC 180-242,282, VCW 221-282	74 - 77
Connection piping VC 110,180,221,240 T	78 - 79
Connection piping VC 112,142,182,242,282 E	80 - 81
Connection piping VCW 221,240,280 T	82 - 83
Connection piping VCW 242,282 E	84 - 85
Acc.-connection parts VC 110-282, VCW 180-282	86 - 87

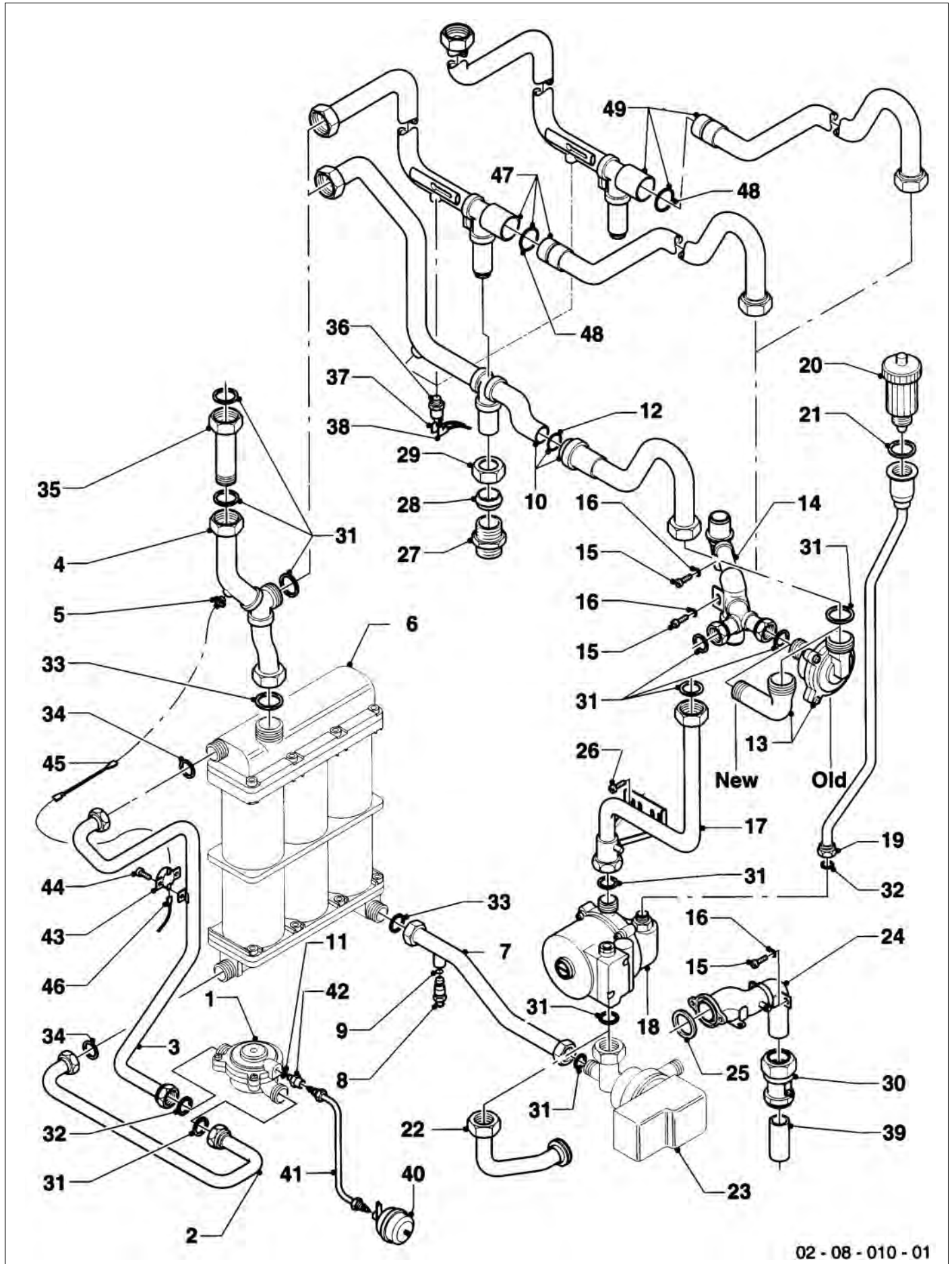
Main component 08 Connection parts
VC 110T, 112,142 E



Main component 08 Connection parts VC 110 T, 112,142 E

Pict. No.	Article-No.	Part	Indic.	Type, Remarks
1	08-9127	connecting tube		supplied with part 2
2	98-0149	o-ring		
3	-	pump		see main component 08
4	08-9108	connecting tube		only for 110
5	06-1707	automatic de-aerator		supplied with part 6
6	98-0287	packingring		
7	08-9105	connecting tube		
8	10-5760	screw		
9	12-6153	spring		
10	08-1056	connection		supplied with part 11
11	98-2409	packingring		
12	-	heat exchanger		see main component 06
13	08-1054	connection		supplied with part 11
	14-0015	de-aeration screw		supplied with part 21
14	25-2805	ntc-sensor		
15	12-6158	retaining bracket		
16	08-9125	connecting tube		supplied with part 17
17	98-0287	packingring		
18	-	expansion vessel		see main component 18
19	08-9106	connecting tube		
20	14-0015	de-aeration screw		supplied with part 21
21	98-2459	packingring		
22	-	gas section		see main component 05
23	08-9168	connecting tube		
24	98-2497	packingring		
25	08-4945	connection piece		
26	15-0216	spill valve		
27	08-9107	connecting tube		
28	08-2564	gas connection		supplied with part 29
29	98-2489	packingring		
30	07-0361	screw		
31	11-1458	disc		
32	08-3408	connection piece		B (supplied with parts 33,34)
33	11-1328	sleeve nut		
34	98-0410	packingring		
35	08-2741	gas shut-off valve		H
37	11-1214	sleeve nut		
38	98-0471	reducing olive		
39	98-1511	packingring		
40	98-1508	packingring		
41	98-0212	packingring		
42	25-4693	resistance		
43	-	not necessary for british execution		
44	25-1822	safety switch		112,142 E
	25-1851	safety switch		110 T
45	25-5730	cable,cpl.		
46	-	not necessary		see pict.-no. 1, 08-9127
47	12-8515	filter		
48	98-0261	packingring		
49	07-1873	cover		supplied with part 48

Main component 08 Connection parts
VC 180-242,282, VCW 221-282



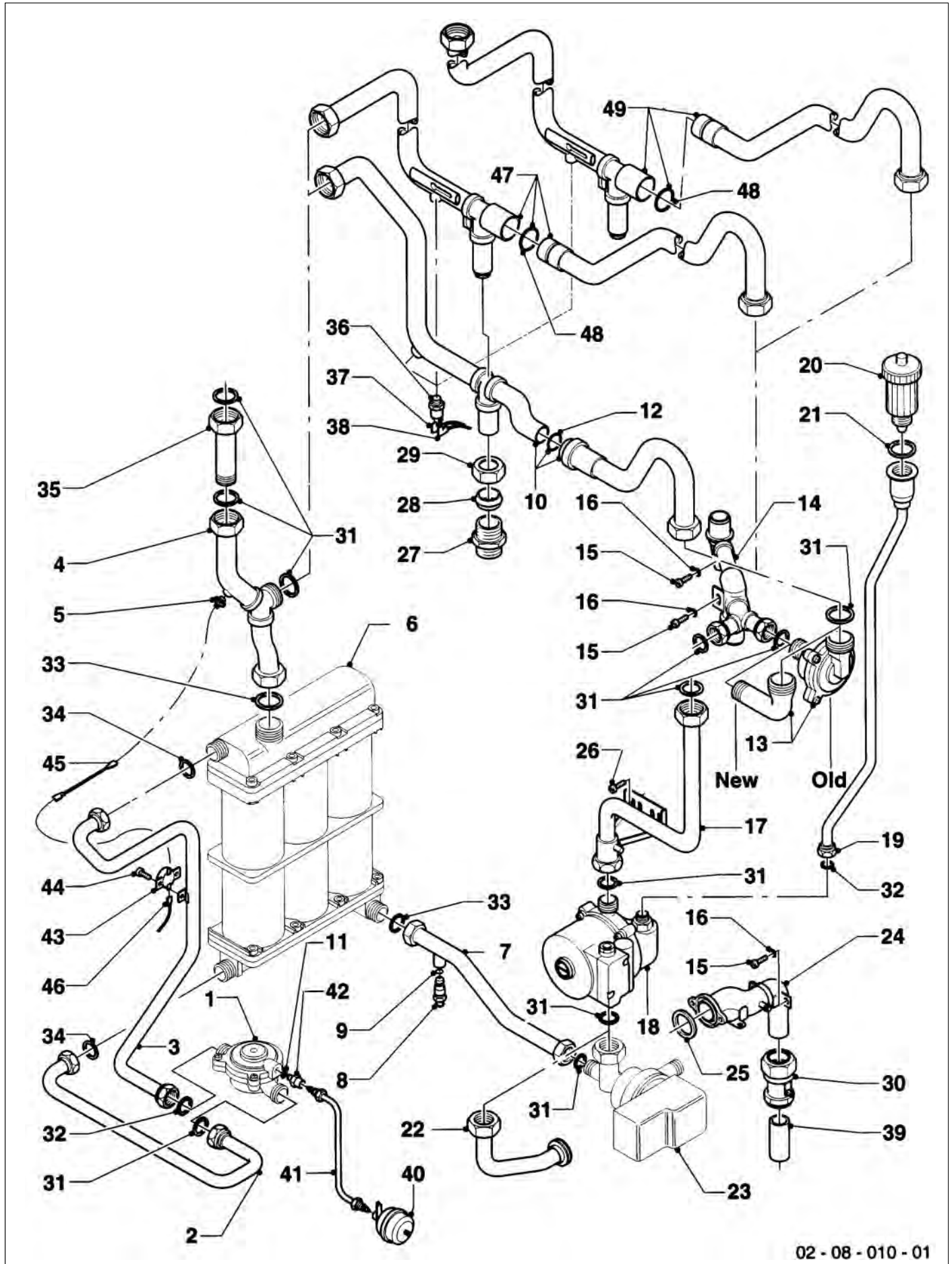
02 - 08 - 010 - 01

Main component 08 Connection parts

VC 180-242,282, VCW 221-282

Pict. No.	Article-No.	Part	Indic.	Type, Remarks
1	-	water valve		see main component 01 } VCW...
2	08-3746	cold water tube, cpl.		
3	08-1415	connecting tube		
4	08-1314	connecting tube		VCW 221,240
	08-9156	connecting tube		VCW 242,282 (enlarged with part 35)
	08-9130	connecting tube		VCW 280
5	25-2805	ntc-sensor		see main component 06 } VCW...
6	-	heat exchanger -d.h.w.		
7	08-1315	connecting tube		
8	14-0015	de-aeration screw		
9	98-2459	packingring		
10	-	connection tube		see pict.-no. 47 (VCW) or. 49 (VC)
11	98-1506	packingring		
12	98-2495	packingring		
13	15-0216	spill valve	2,5 m	180-242,282
	15-0217	spill valve	3,5 m	280
	15-0218	spill valve	1,7 m	special return
14	08-1058	connection		
15	07-0361	screw		
16	11-1458	disc		
17	08-1316	connecting tube		180,240,280 (221 see main component 06)
	08-9155	connecting tube		182,242,282 (extended with part 35)
18	-	pump		see main component 16
19	08-1317	connecting tube		
20	06-1707	automatic de-aerator		supplied with part 21
21	98-0287	packingring		
22	08-1320	connection tube		VC...
23	-	Hydraulically controlled diverter valve		VCW... (see main component 01)
24	08-2557	gas connection		180-242 } supplied with part 25
	08-2556	gas connection		
25	98-2489	packingring		
26	23-5727	screw		
27	08-0074	connection piece		
28	08-0184	brass olive		
29	08-0177	nut		
30	08-2741	gas shut-off valve	15 mm	H (180-242)
	08-2745	gas shut-off valve	22 mm	H (280,282)
31	98-1511	packingring		
32	98-1508	packingring		
33	98-1602	packingring		
34	98-1609	packingring		

Main component 08 Connection parts
VC 180-242,282, VCW 221-282



02 - 08 - 010 - 01

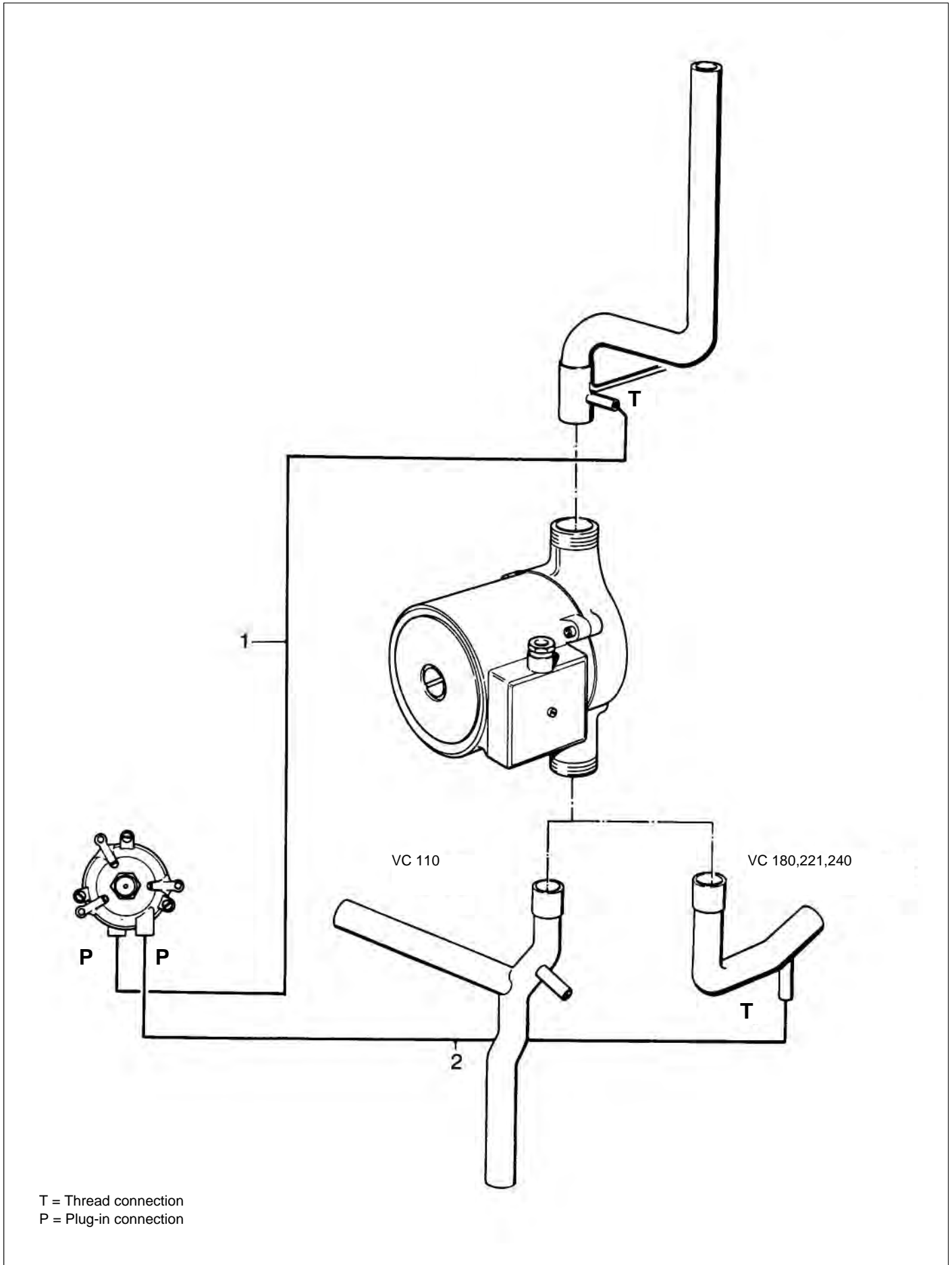
Main component 08 Connection parts

VC 180-242,282, VCW 221-282

Pict. No.	Article-No.	Part	Indic.	Type, Remarks
35	- - -	connection connection connection		VC 182,242,282 (not necessary see pict.-no. 49 or 17) VCW 182,242,282 (not necessary see pict.-no. 4 or 17) VC-VCW 221 (see main component 06)
36	25-1822	safety switch		VC 182,242,282 E, VCW 242,282 E
	25-1851	safety switch		VC 180,221,240 T, VCW 221,240,280 T
37	25-5730	cable,cpl.		only VC-VCW... E
	17-1165	thermo-couple		only 180,240,280 T
	17-1181	thermo-couple		only 221 T
38	08-9526	connection line		only 180,240,280 T
	17-1181	thermo-couple		only 221 T
39	13-7439	tube		180-242
	12-4370	tube		280,282
40	18-1025	expansion vessel		
41	08-4298	flow switch conduction		
42	13-6313	nipple		
43	25-1852	safety switch		} only VCW...
44	95-0119	screw		
45	25-5726	cable		
46	08-9569	connection line		
47	08-9159	connecting tube		VCW...
48	98-0287	packingring		
49	08-9236	connecting tube		VC 180,221,240,280 T
	08-9237	connecting tube		VC 182,242,282 E

Main component 08 Connection piping

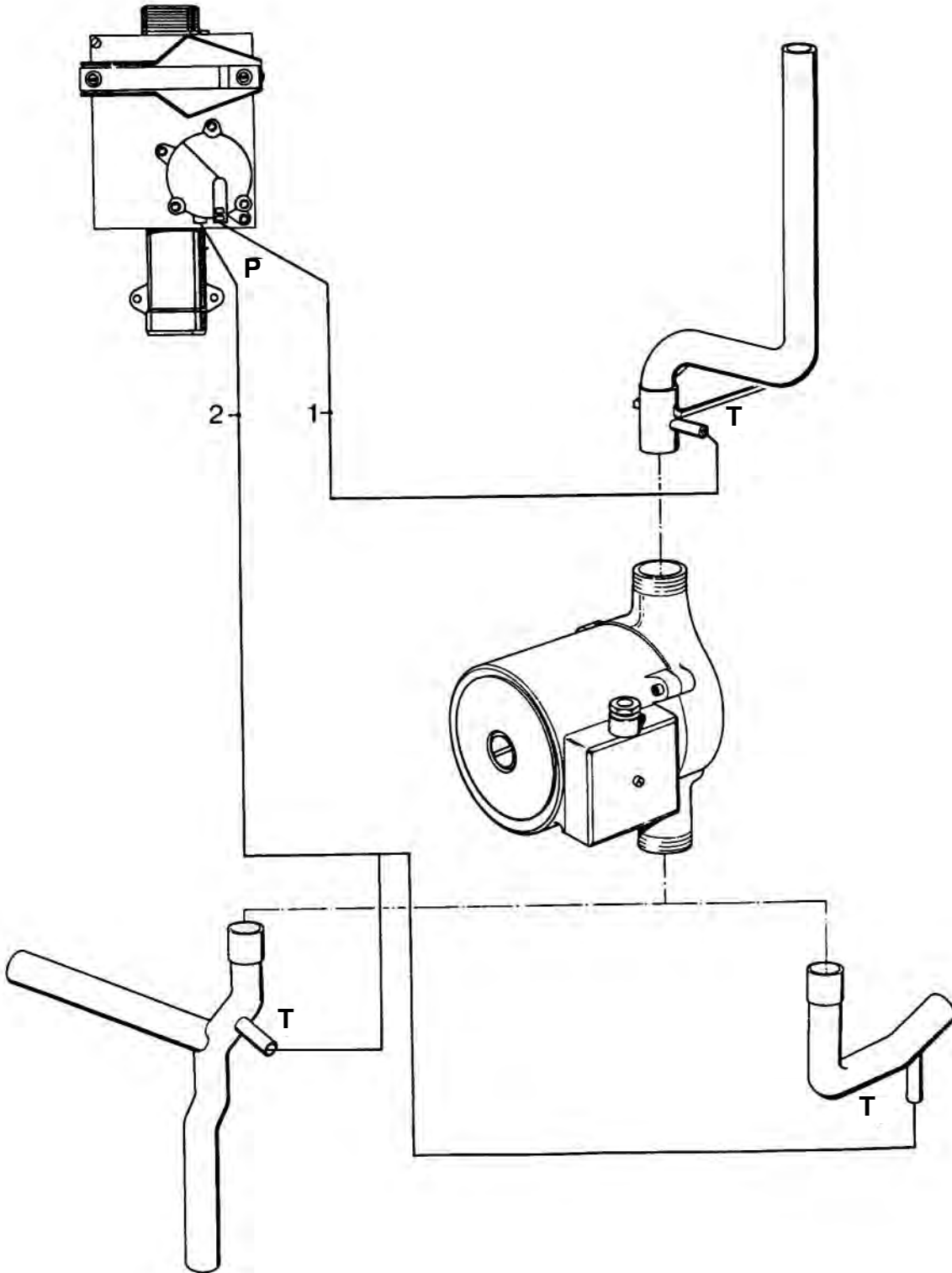
VC 110,180,221,240 T



**Main component 08 Connection piping
VC 110,180,221,240 T**

Pict. No.	Article-No.	Part	Indic.	Type, Remarks
1	08-8922	flow switch connection		110
	08-8916	flow switch connection		180,221,240
2	08-8924	flow switch connection		110
	08-8910	flow switch connection		180,221,240

Main component 08 Connection piping
VC 112,142,182,242,282 E

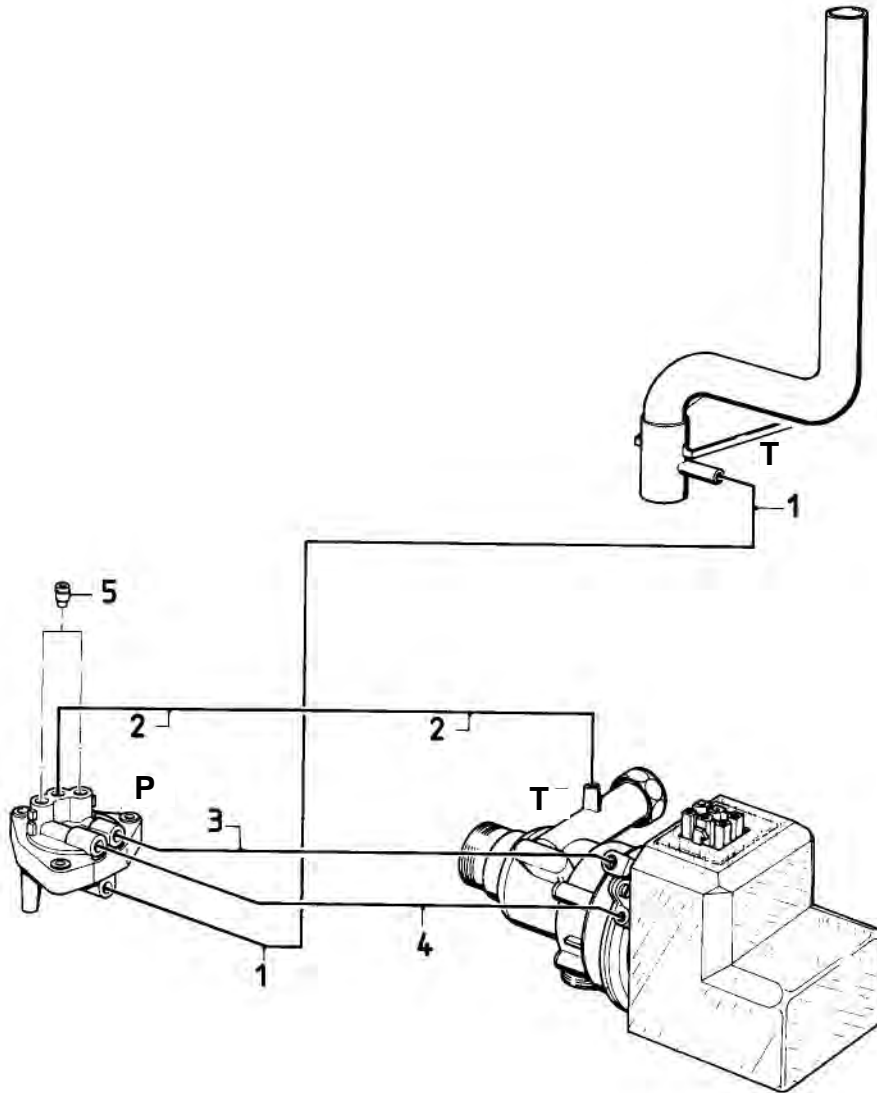


T = Thread connection
P = Plug-in connection

**Main component 08 Connection piping
VC 112,142,182,242,282 E**

Pict. No.	Article-No.	Part	Indic.	Type, Remarks
1	08-8914	flow switch connection		112,142
	08-8918	flow switch connection		182,242,282
2	08-8908	flow switch connection		112,142
	08-8920	flow switch connection		182,242,282

Main component 08 Connection piping VCW 221,240,280 T

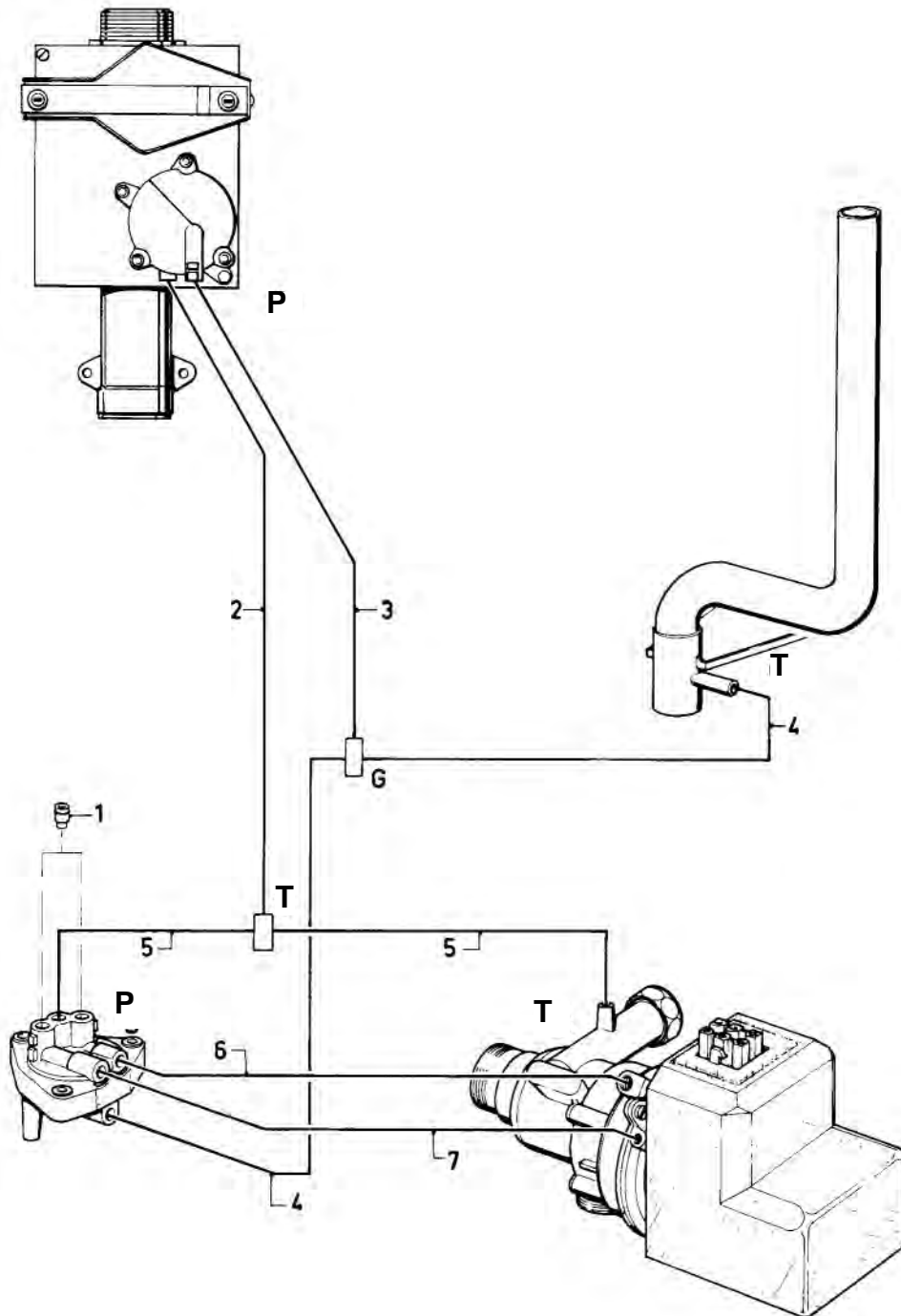


T = Thread connection
P = Plug-in connection

**Main component 08 Connection piping
VCW 221,240,280 T**

Pict. No.	Article-No.	Part	Indic.	Type, Remarks
1	08-4253	flow switch connection		
2	08-4247	flow switch connection		
3	08-4245	flow switch connection		for diverter valve with throttle piece
4	08-8940	flow switch connection		for diverter valve without throttle piece
5	08-8939	flow switch connection		
	10-9914	plug		

Main component 08 Connection piping VCW 242,282 E



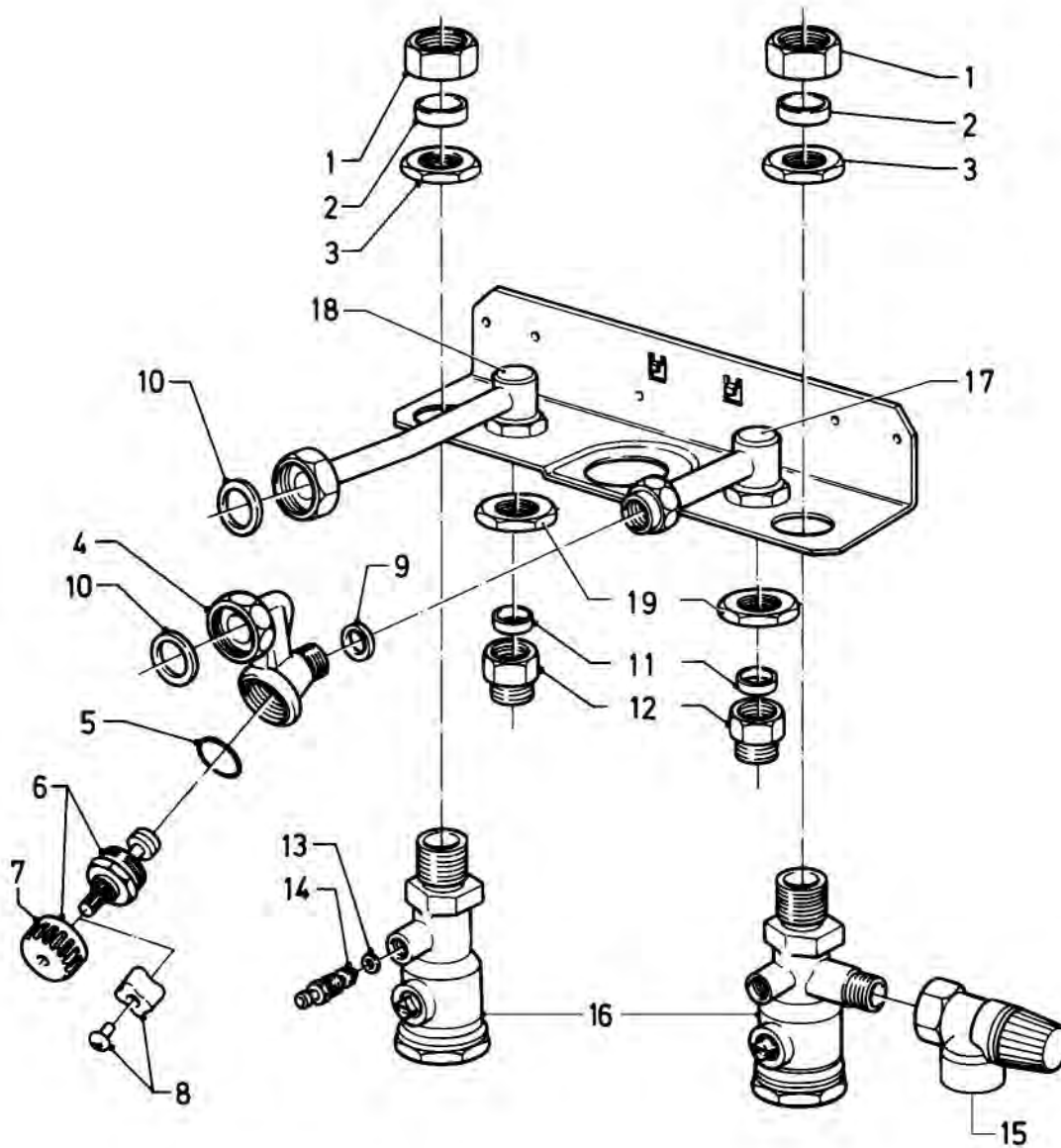
T = Thread connection
P = Plug-in connection

Main component 08 Connection piping

VCW 242,282 E

Pict. No.	Article-No.	Part	Indic.	Type, Remarks
1	10-9914	plug		
2	08-8906	flow switch connection		
3	08-8912	flow switch connection		
4	08-4263	flow switch connection		
5	08-4266	flow switch connection		
6	08-4245	flow switch connection		for diverter valve with throttle piece
	08-8940	flow switch connection		for diverter valve without throttle piece
7	08-8939	flow switch connection		

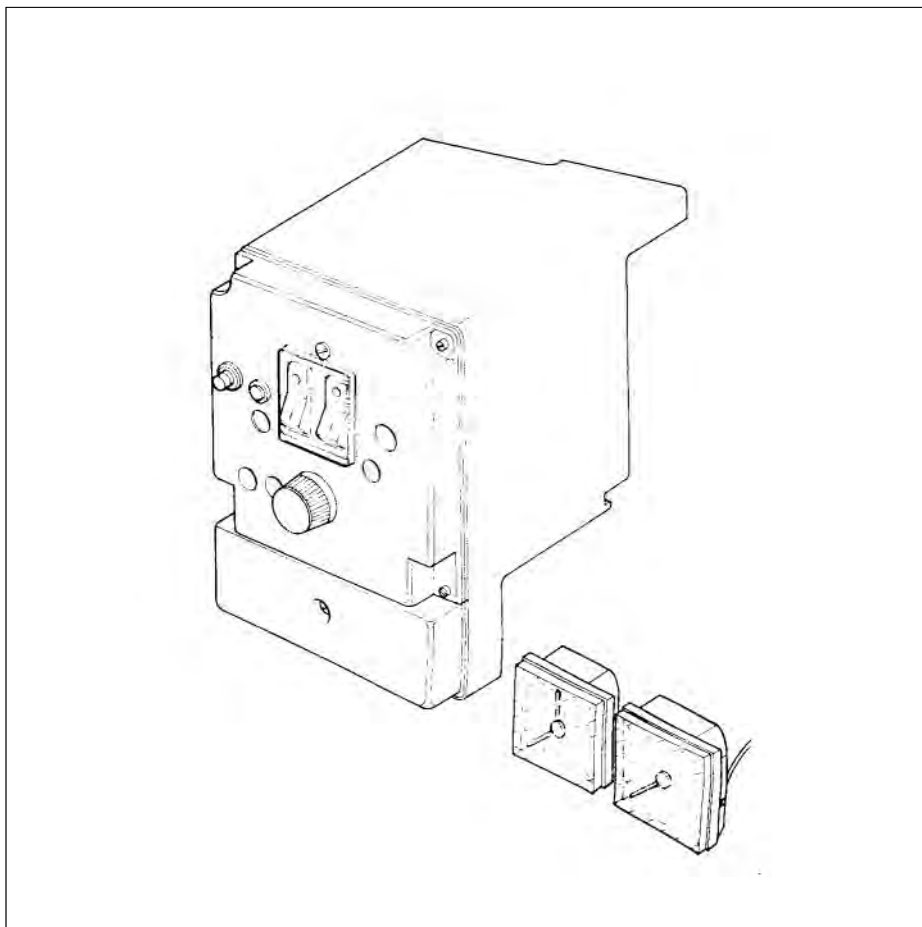
Main component 08 Acc.-connection parts
VC 110-282, VCW 180-282



Main component 08 Acc.-connection parts
VC 110-282, VCW 180-282

Pict. No.	Article-No.	Part	Indic.	Type, Remarks
1	08-0177	nut		
2	08-0184	brass olive		
3	95-0272	nut		
4	08-1714	cold water connection		supplied with parts 5,6
5	98-1605	packingring		
6	95-0057	upper part of valve		
7	14-3981	knob		
8	-	no more available		see pict.-no. 6
9	98-1508	packingring		
10	98-1511	packingring		
11	98-0410	packingring		
12	11-1328	sleeve nut		
13	98-2459	packingring		
14	14-0015	de-aeration screw		
15	19-0721	pressure relief valve		
16	-	-		not available as spare part see acc.-no. 9326 or 9327 see acc.-no. 9326 (return) or 9327 (flow)
17	08-0945	water connection		
18	08-1144	water connection		
19	08-0537	nut		
				<p>Note: Connetion complete VC... acc.-no. 009745 VCW... acc.-no. 009313</p>

Main component 13



Control box
VC 110,180,221,240 T, VCW 221,240,280 T
Control box
VC 112,142,182,242,282 E, VCW 242,282 E
Flue sensor
VC 110,180,240 X H, VCW 240,280 X H

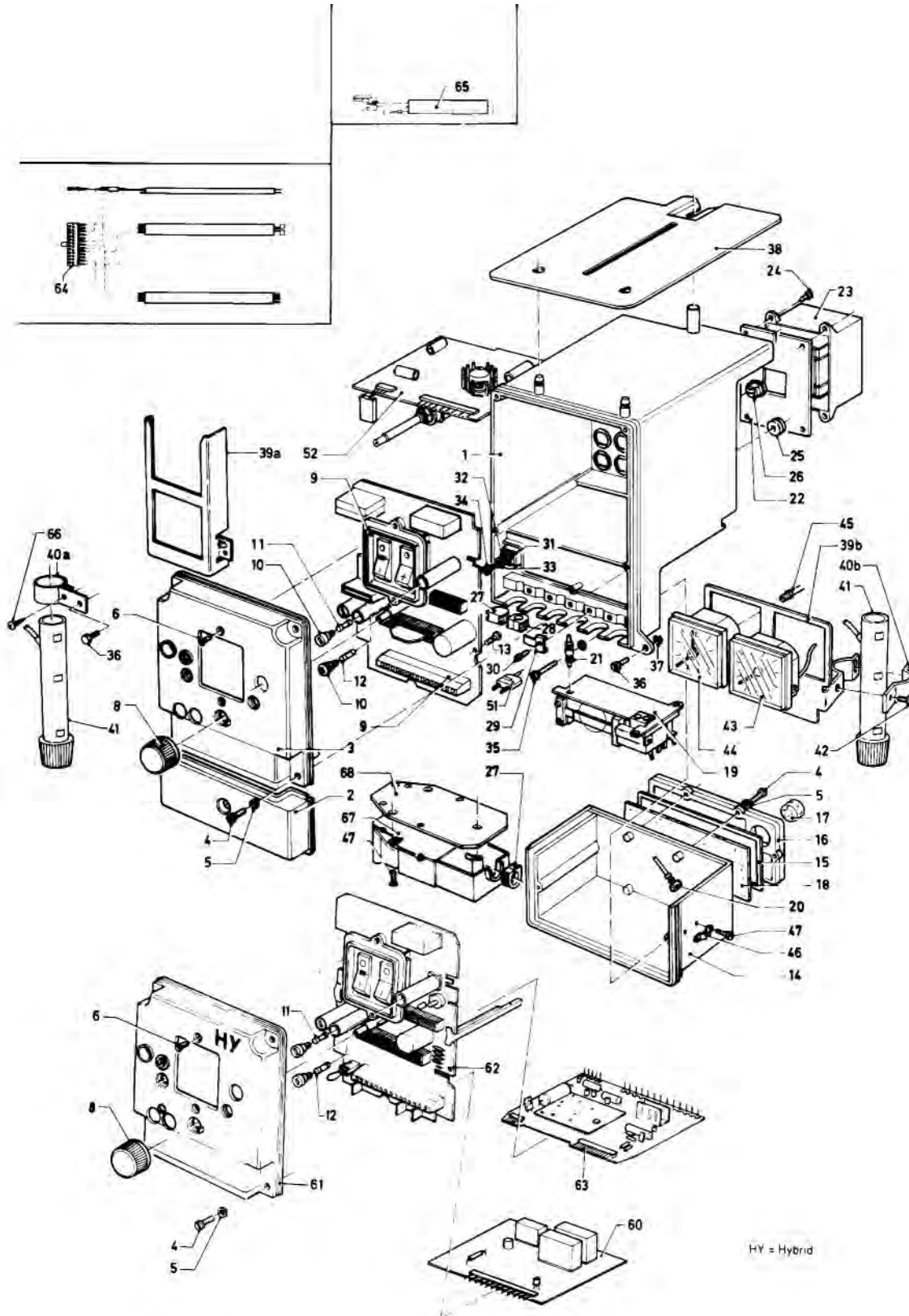
Page

90 - 93

94 - 97

98 - 99

Main component 13 Control box
VC 110,180,221,240 T, VCW 221,240,280 T



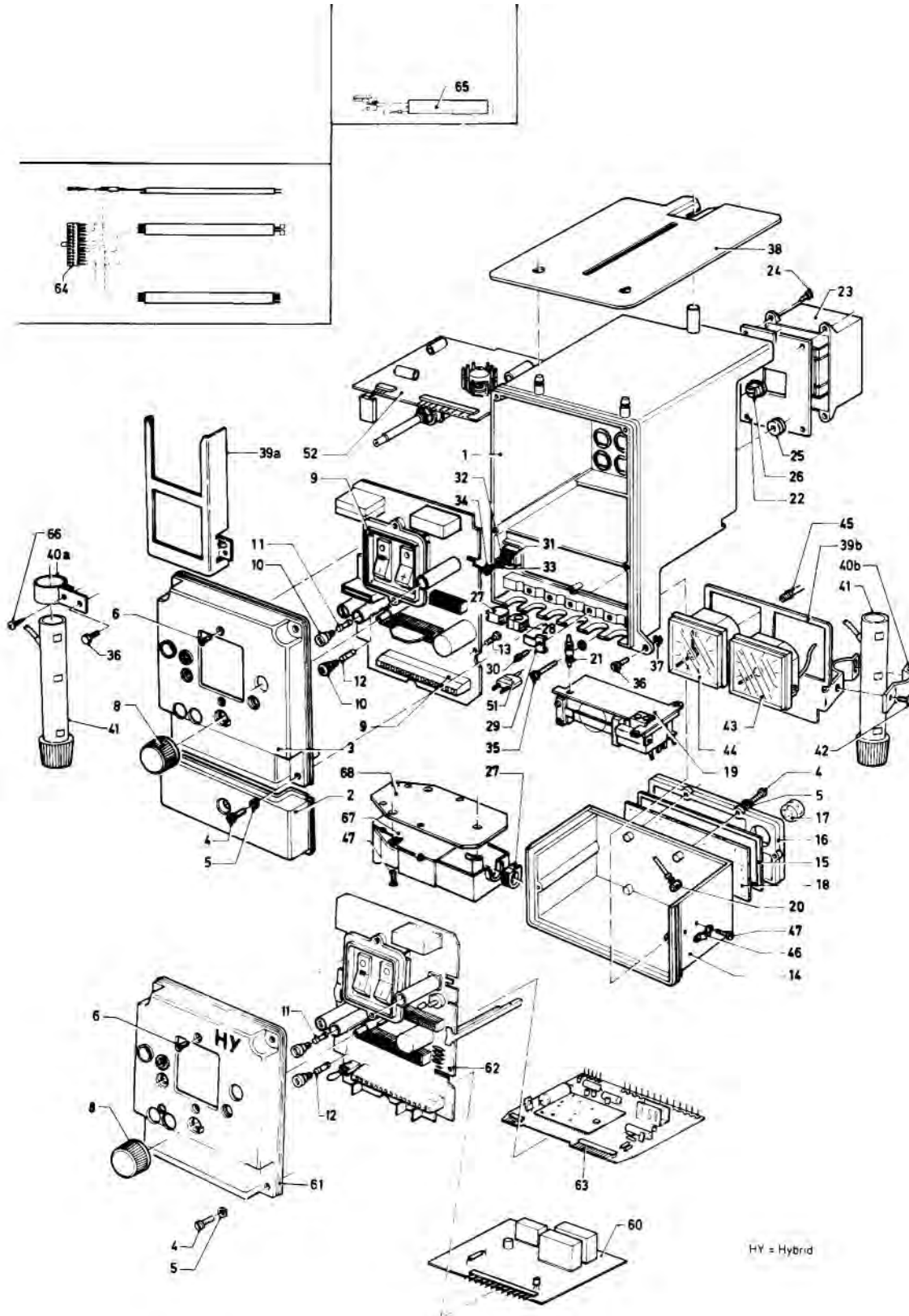
Main component 13 Control box

VC 110,180,221,240 T, VCW 221,240,280 T

Pict. No.	Article-No.	Part	Indic.	Type, Remarks
1	-	PCB housing		not available as a spare part
2	07-1775	plastic cover		
3	-	control box cover		not available as a spare part
4	10-5780	screw		
5	09-0034	safety disc		
6	13-9211	screw		
8	14-3967	knob		
9	13-0247	printed circuit	motherboard	VC... (supplied with parts 10-12)
	13-0240	printed circuit	motherboard	VCW... (supplied with parts 10-12) } non hybrid
10	-	fuse holder		not available as a spare part
11	13-0037	fuse (2.0 A/250 V)		
12	25-1920	fuse	0,16 A	
14-18	07-1788	cover		supplied with parts 4,5
19	16-0108	diaphragm pump		supplied with part 21
20	08-0368	hose		
21	13-7286	plug		
22	21-0654	insulation plate		
23	28-7418	transformer		
24	23-5740	screw		
25-26	20-1835	cable bushing		
27	20-1848	cable holder		
28	20-1849	cable holder		
29	18-8627	clamp		
30	14-0012	screw		
31	12-0020	contact protection		
32-34	10-5814	screw		
35	13-0012	screw		
36	07-0010	screw	M5 x 9	
	23-5755	screw	4,8 x 13 x 8	
37	11-5507	safety disc		
38	21-3364	back panel		180,240,280
39a	08-6386	support		110
39b	08-6405	support		180,221,240,280
40a	09-0011	support		110
40b	18-8626	clamp		180,221,240,280
41	09-1060	piezo ignition		
42	23-5727	screw		
43	10-1542	thermometer		} glass not available seperatley as a spare part
44	10-1250	manometer		
45	08-4280	flow switch connection		110
	08-4256	flow switch connection		180,221,240,280
46	18-8624	clamp		
47	11-8873	screw		

Main component 13 Control box

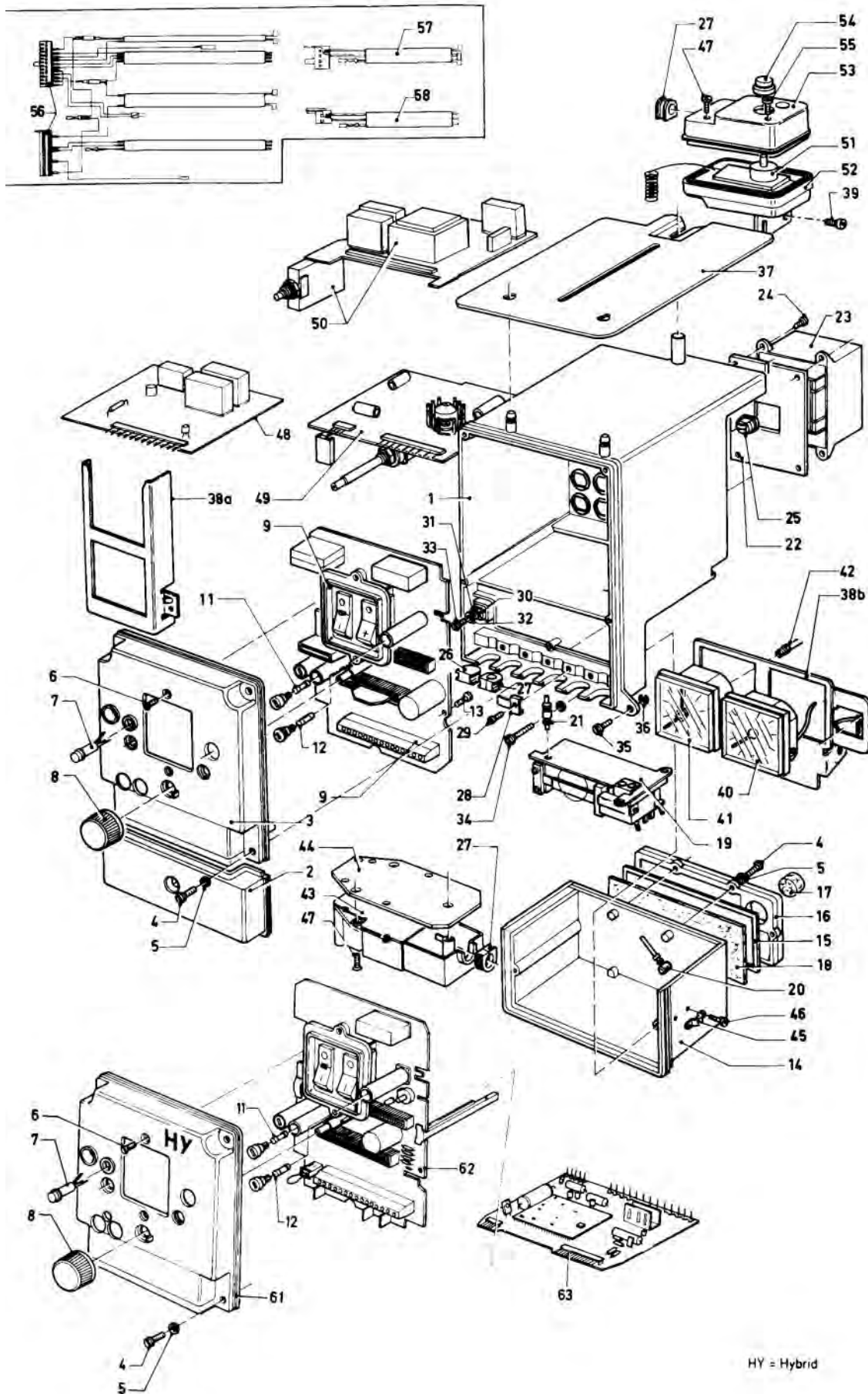
VC 110,180,221,240 T, VCW 221,240,280 T



Main component 13 Control box
VC 110,180,221,240 T, VCW 221,240,280 T

Pict. No.	Article-No.	Part	Indic.	Type, Remarks
51	13-0242	printed circuit		link
52	25-2945	electronic board	thermostat	non hybrid
60	-	not necessary		
61	-	contol box cover		not available as a spare part
62	13-0323	printed circuit	motherboard	VC... hybrid (supplied with parts 10-12)
	13-0324	printed circuit	motherboard	VCW... hybrid (supplied with parts 10-12)
63	25-2957	electronic board	thermostat	hybrid
64	25-5807	cable tree		VC...
	25-5863	cable tree		VCW...
65	25-0798	cable tree		pump
66	07-0338	disc		
67-68	-	not necessary for (T) execution		

Main component 13 Control box
VC 112,142,182,242,282 E, VCW 242,282 E

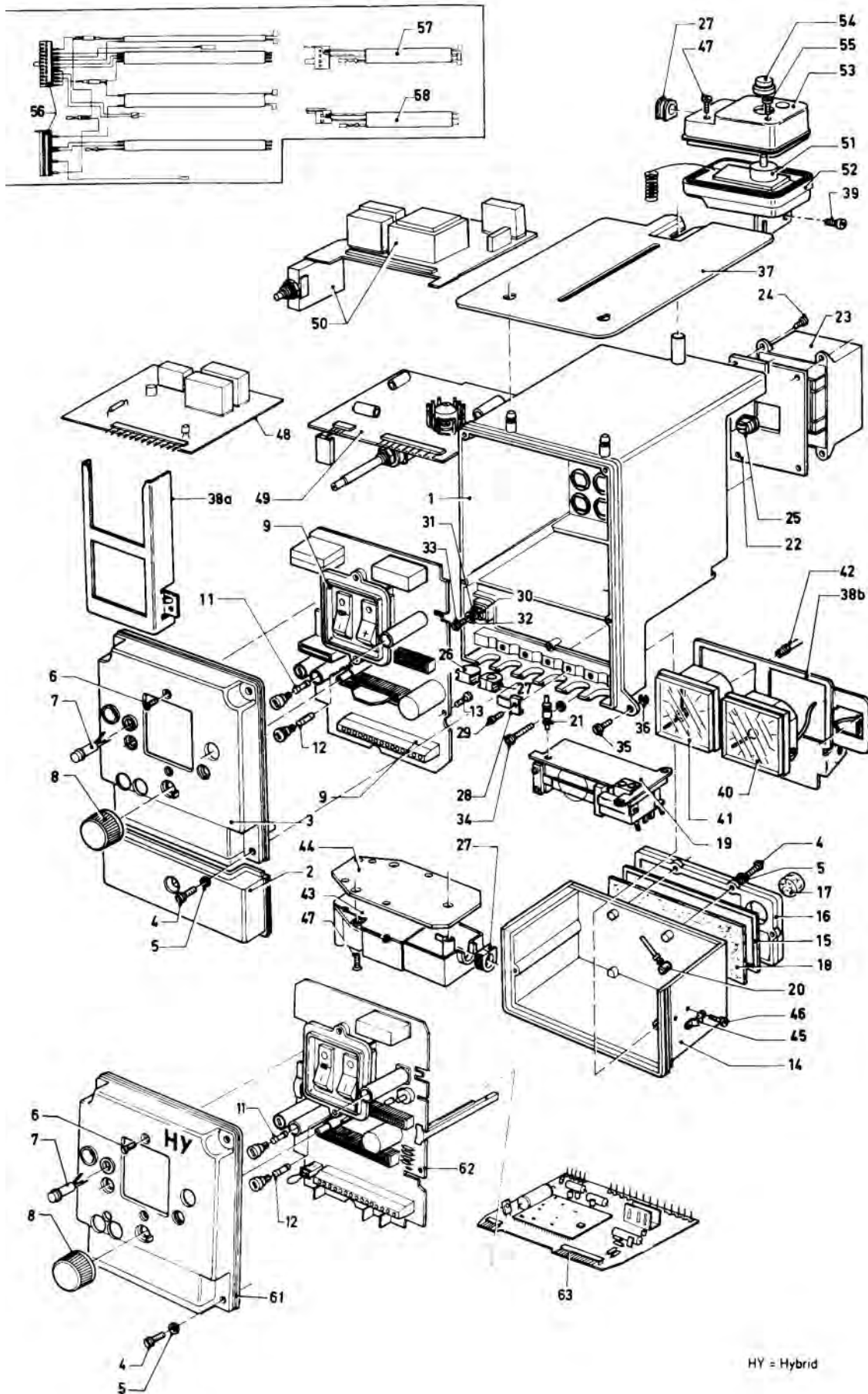


Main component 13 Control box

VC 112,142,182,242,282 E, VCW 242,282 E

Pict. No.	Article-No.	Part	Indic.	Type, Remarks
1	-	PCB housing		not available as a spare part
2	07-1775	plastic cover		
3	-	control box cover		not available as a spare part
4	10-5780	screw		
5	09-0034	safety disc		
6	13-9211	screw		
7	25-0626	control lamp		
8	14-3967	knob		
9	13-0272	printed circuit	motherboard	VC... (supplied with parts 11,12) } non hybrid VCW... (supplied with parts 11,12) }
	13-0277	printed circuit	motherboard	
11	13-0037	fuse (2.0 A/250 V)		
12	25-1920	fuse	0,16 A	
13	49-2147	screw		
	28-0217	clip		not shown
14-18	07-1788	cover		supplied with parts 4,5
19	16-0108	diaphragm pump		supplied with part 21
20	08-0368	hose		
21	13-7286	plug		
22	21-0654	insulation plate		
23	28-7418	transformer		
24	23-5740	screw		
25	20-1835	cable bushing		
26	20-1848	cable holder		
27	20-1849	cable holder		
28	18-8627	clamp		
29	14-0012	screw		
30	12-0020	contact protection		
31-33	10-5814	screw		
34	13-0012	screw		
35	07-0010	screw	M5 x 9	
	23-5755	screw	4,8 x 13 x 8	
36	11-5507	safety disc		
37	-	plate		not available as a spare part
38a	08-6386	support		112,142
38b	08-6405	support		182,242,282
39	23-5727	screw		
40	10-1542	thermometer		} glass not available seperatley as a spare part
41	10-1250	manometer		
42	08-4280	flow switch connection		112,142
	08-4256	flow switch connection		182,242,282
43	09-1235	ignition transformer		
44	21-0656	insulation plate		
45	18-8624	clamp		
46	11-8873	screw		
47	06-0018	screw	M 4x6	
	13-0005	screw	3,5x13	

Main component 13 Control box
VC 112,142,182,242,282 E, VCW 242,282 E

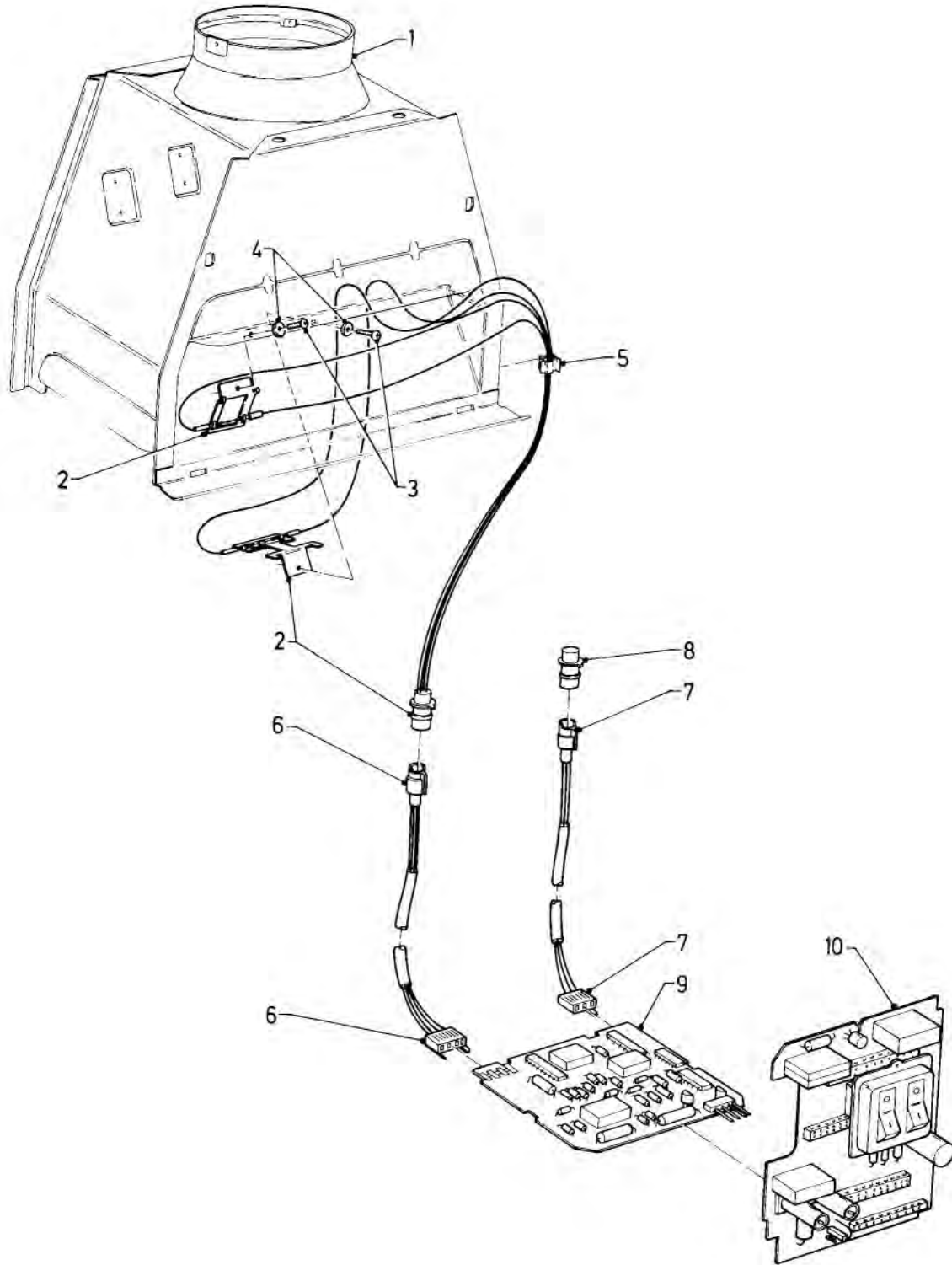


Main component 13 Control box

VC 112,142,182,242,282 E, VCW 242,282 E

Pict. No.	Article-No.	Part	Indic.	Type, Remarks
48	13-0451	printed circuit board	fan	
49	25-2945	electronic board	thermostat	non hybrid
50	10-0555	flame supervision device	ignition	
51	10-1384	temperature limiter		112,142
	10-1392	temperature limiter		182
	10-1391	temperature limiter		242,282
52	13-6936	casing		
53	-	casing		single delivery not possible, supplied with pict.-no. 51
54	20-4048	cap		
55	11-8947	screw	M 4x16	
	13-0005	screw	3,5x13	
56	25-5928	cable tree		VC...
	25-5929	cable tree		VCW...
57	25-5803	cable tree		temperature limiter
58	25-0798	cable tree		pump
61	-	control box cover		single delivery not possible
62	13-0330	printed circuit	motherboard	VC... hybrid (supplied with parts 11,12)
	13-0331	printed circuit	motherboard	VCW... hybrid (supplied with parts 11,12)
63	25-2957	electronic board	thermostat	hybrid
<p>Notice: Prior to 31/12/90 control box cover for hybrid stamped with " HY " (see pict.-no. 61). Non hybrid no stamp. After 1/1/91 all appliances produced were hybrid models, which contained no stamp on control box cover as previous hybrid models had.</p>				

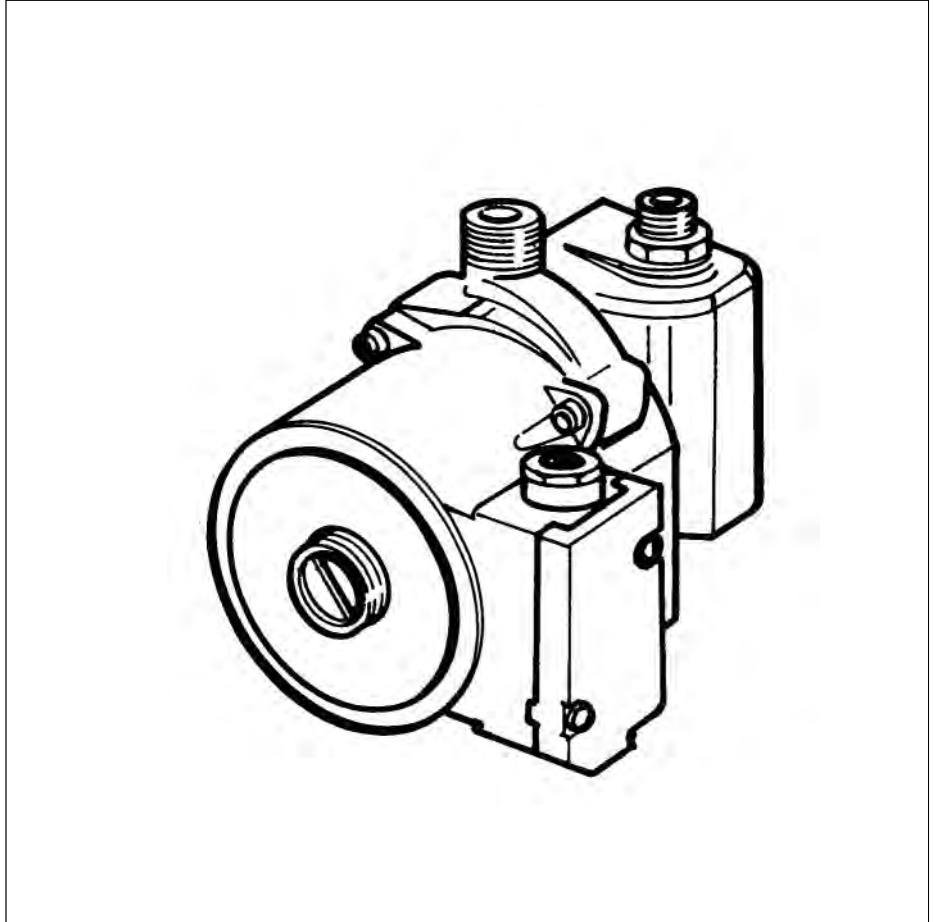
Main component 13 Flue sensor
VC 110,180,240 X H, VCW 240,280 X H



Main component 13 Flue sensor
VC 110,180,240 X H, VCW 240,280 X H

Pict. No.	Article-No.	Part	Indic.	Type, Remarks
1	07-4945 07-4920 07-4921 07-4940	draft diverter draft diverter draft diverter draft diverter		110 180 240 280
2	25-3516 25-3511	flue sensor flue sensor		VC 110 VC 180,240, VCW 240,280 } supplied with parts 3-5
3	23-5750	screw		
4	95-0239	disc		
5	18-8638	clamp		
6 7-8	08-9445 -	connection line not necessary for british execution		
9	13-0311	printed circuit		flue sensor
10	13-0323 13-0324	printed circuit printed circuit	motherboard motherboard	VC... hybrid VCW... hybrid

Main component 16

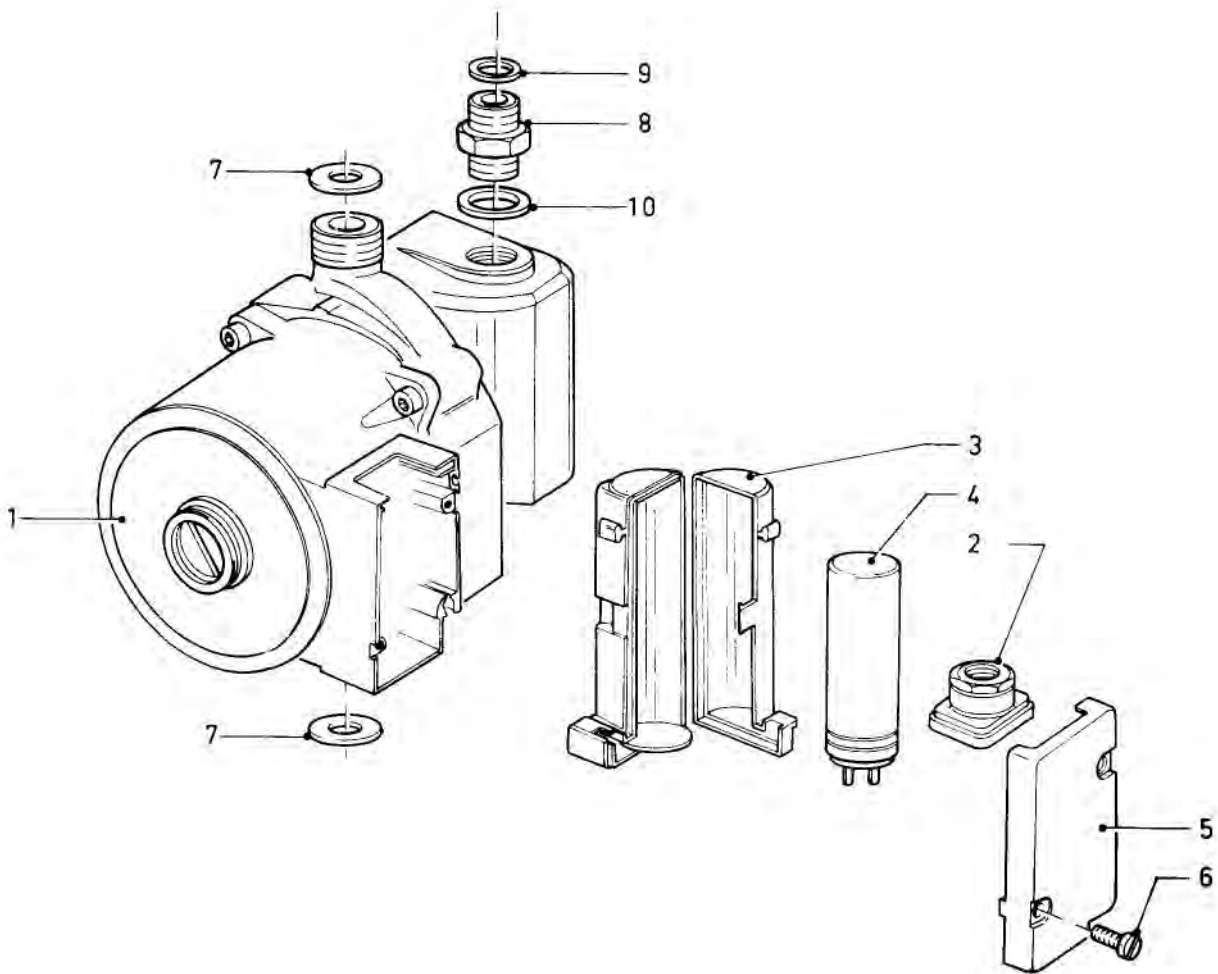


Pump
VC 110-242,282, VCW 221-282

Page

102 - 103

Main component 16 Pump
VC 110-242,282, VCW 221-282

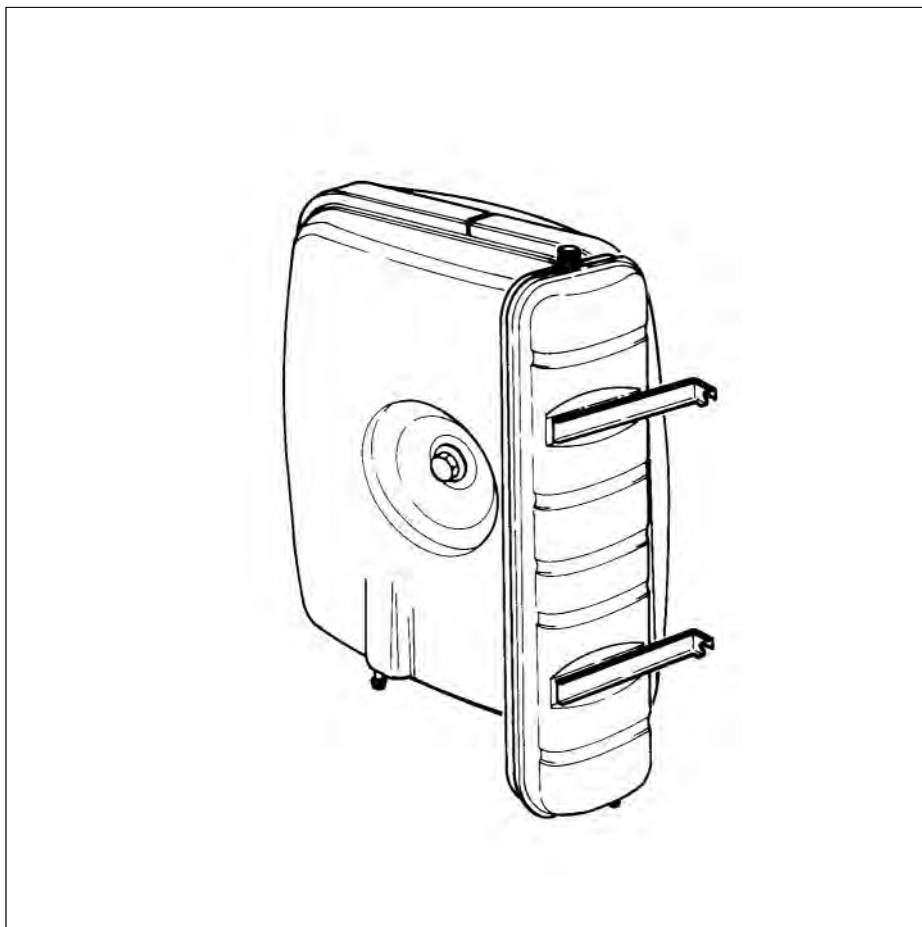


Main component 16 Pump

VC 110-242,282, VCW 221-282

Pict. No.	Article-No.	Part	Indic.	Type, Remarks
1	16-1077 16-1106 16-1107	pump pump pump	VP 4 (240 V) VP 5 (240 V) VP 6 (240 V)	110,112,142 (supplied with parts 4,7,9) 180-242 (supplied with parts 2-10) 280,282 (supplied with parts 2-10)
2-3	-	-		single delivery not possible, supplied with 16-1108 or 16-1109
4	25-1329 25-1370	condenser condenser	2,5 μ F 3 μ F	110,112,142 180-282
5	-	-		single delivery not possible, supplied with 16-1108 or 16-1109
6	06-0009	screw		
7	98-1511	packingring		
8	13-6333	nipple		
9	98-1508	packingring		
10	98-0222	packingring		

Main component 18



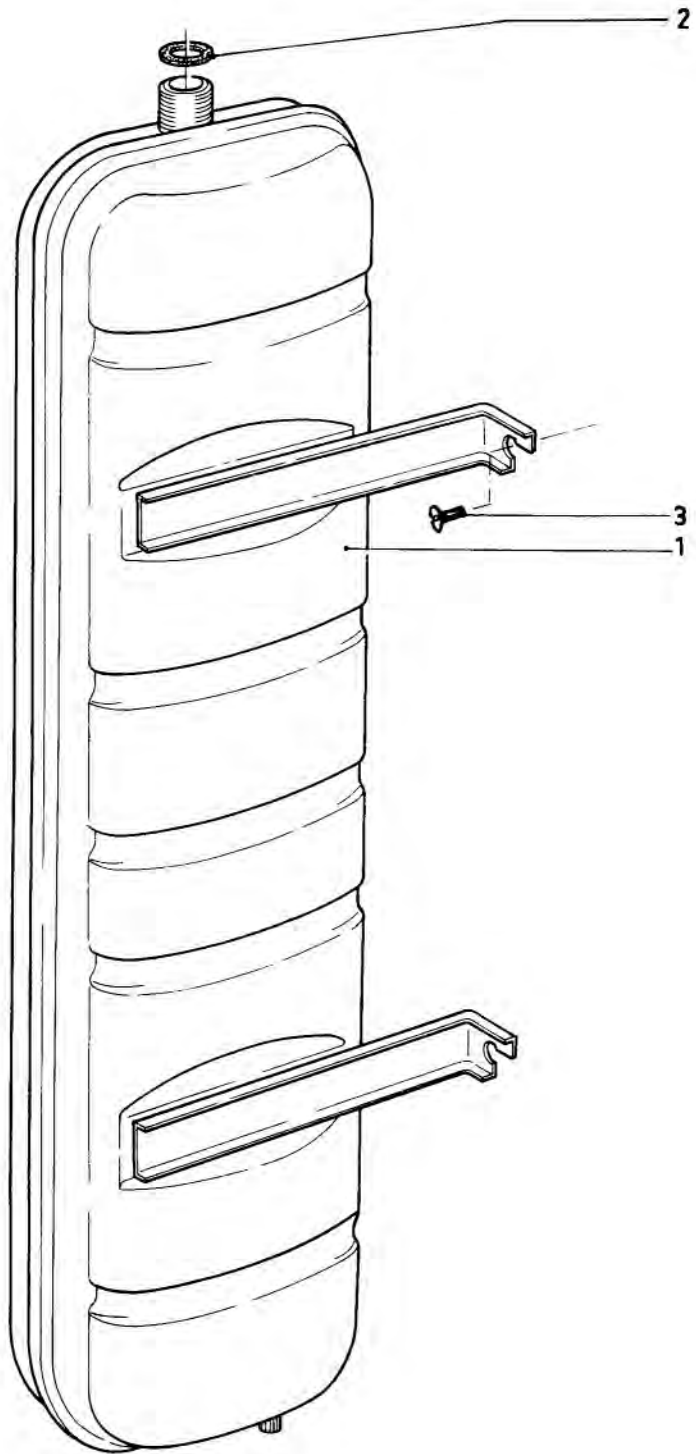
Expansion vessel
VC 110,112,142
Expansion vessel
VC 180-282, VCW 221-282

Page

106 - 107

108 - 109

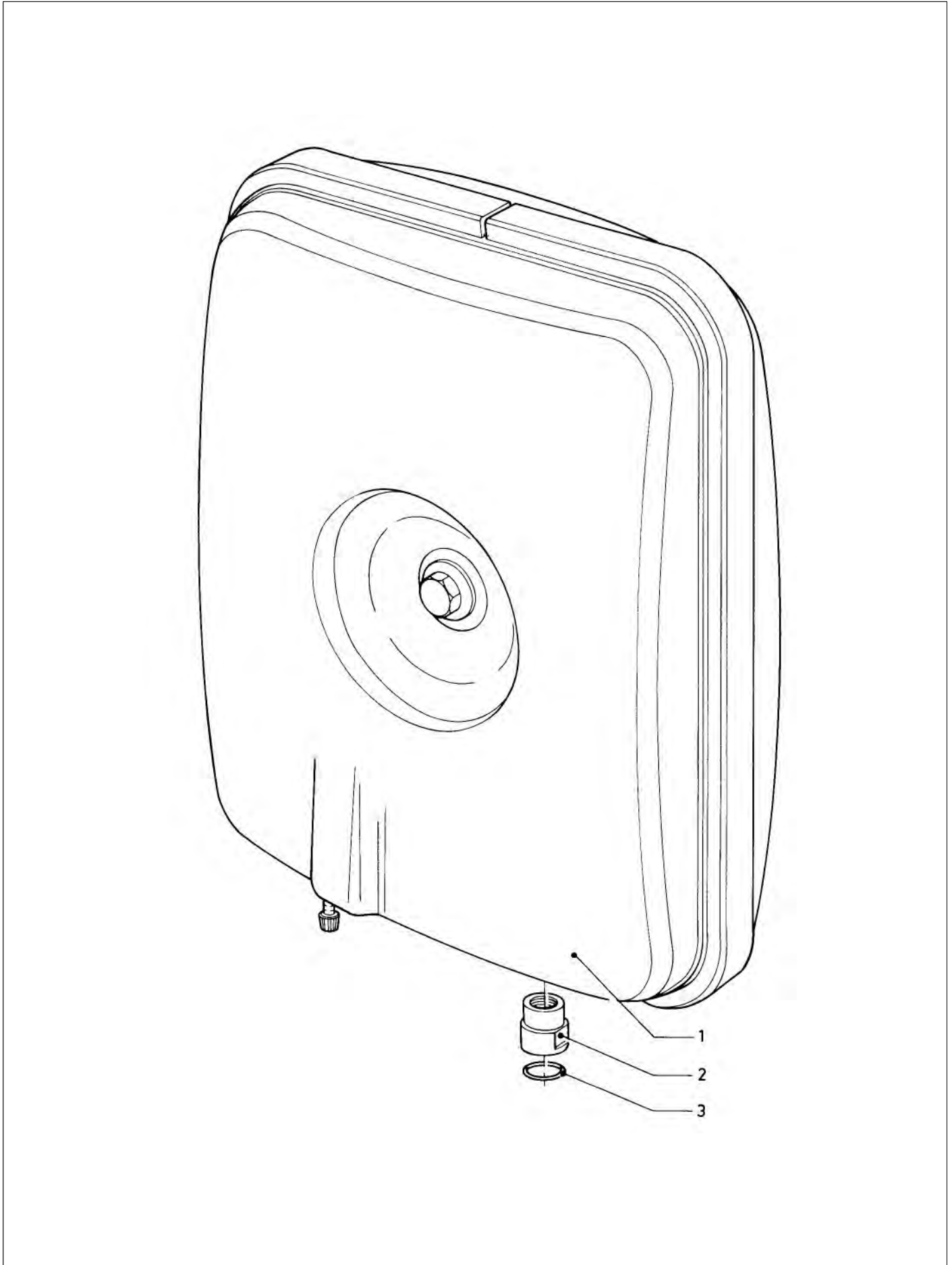
Main component 18 Expansion vessel
VC 110,112,142



**Main component 18 Expansion vessel
VC 110,112,142**

Pict. No.	Article-No.	Part	Indic.	Type, Remarks
1	18-1005	expansion vessel		
2	98-1508	packingring		
3	23-5727	screw		

Main component 18 Expansion vessel
VC 180-282, VCW 221-282



**Main component 18 Expansion vessel
VC 180-282, VCW 221-282**

Pict. No.	Article-No.	Part	Indic.	Type, Remarks
1	18-1022 18-1030	expansion vessel expansion vessel	12 ltr. 8 ltr.	supplied with parts 2,3 from 05/95 (CE marked)
2	-	-		single delivery not possible, supplied with 18-1022
3	98-2495	packingring		